

Installation and Operating Instructions

JUDO PROFI

2½" (DN65) - 4" (DN100)

Backwash Protective Filter

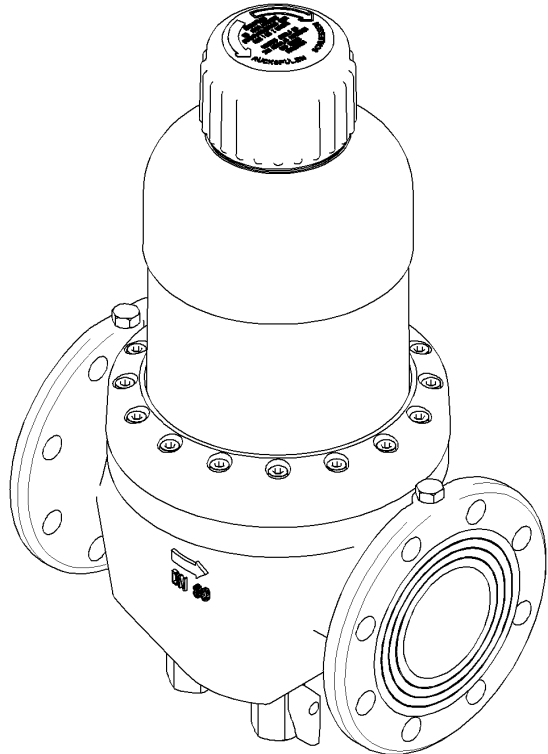
Model JPF

Valid for: Canada

Attention:

Carefully read through the installation and operating instructions and safety information before installing and putting the unit into service.

These Instructions must always be issued to the owner/user.



JPF 2½" - 4"



Application

The Backwash Protective Filter removes all coarse and fine grained impurities which cause pitting as aeration elements in cold

and hot water supply piping, and that can lead to the malfunctioning of fittings and control- and regulation elements, as well as of sensitive devices..

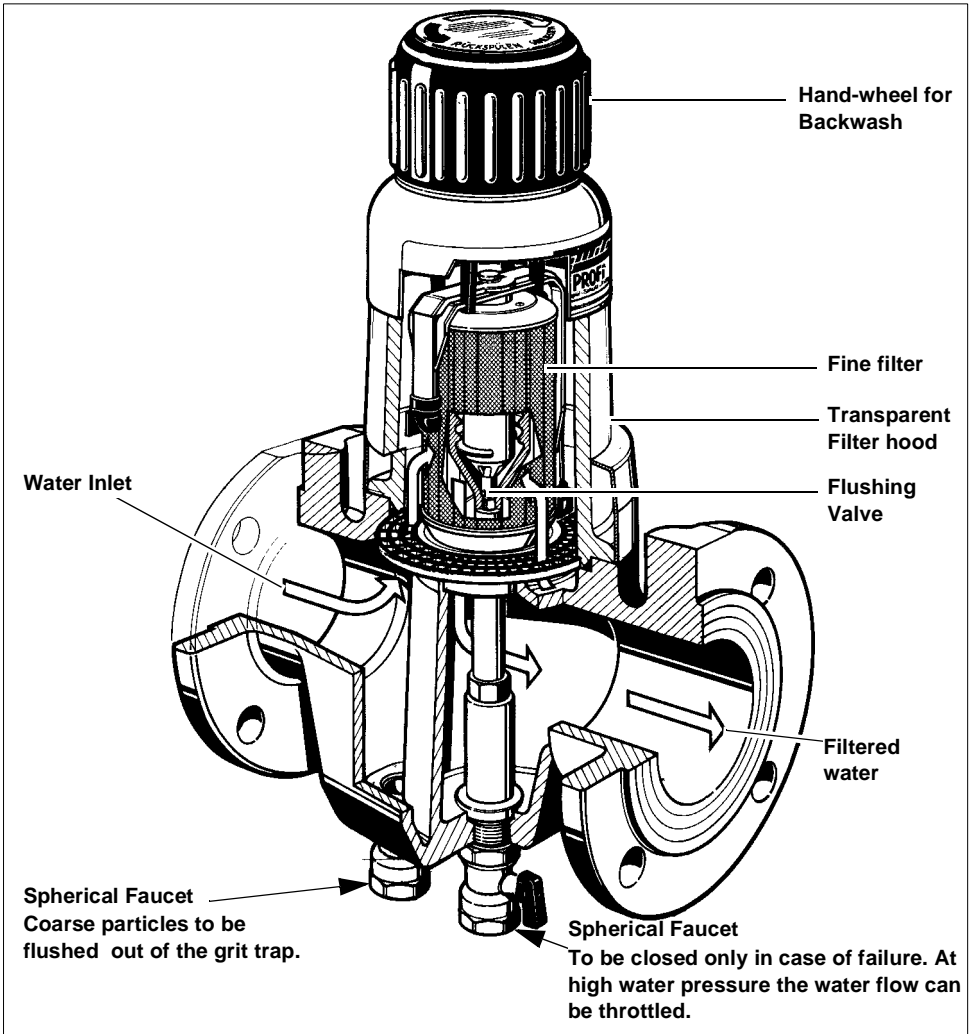


Fig. 1: Application JPF 2½" (DN65) - 4" (DN100)

Installation

The Backwash Protective Filter should be installed in a dry and frost resistant location with a floor drain.

It can be installed into all drinking water pipes usual in the trade, in each flow direction.

To ensure easy operation and maintenance the indicated minimum distances have to be observed.

The installation into vertical lines should be effected only, if there isn't any possibility for an installation in horizontal lines.

If installing into a vertical line, the coarse particles, deposited in the grit trap can't be flushed out as optimally as when installed horizontally.

Tension-free installation has to be observed!

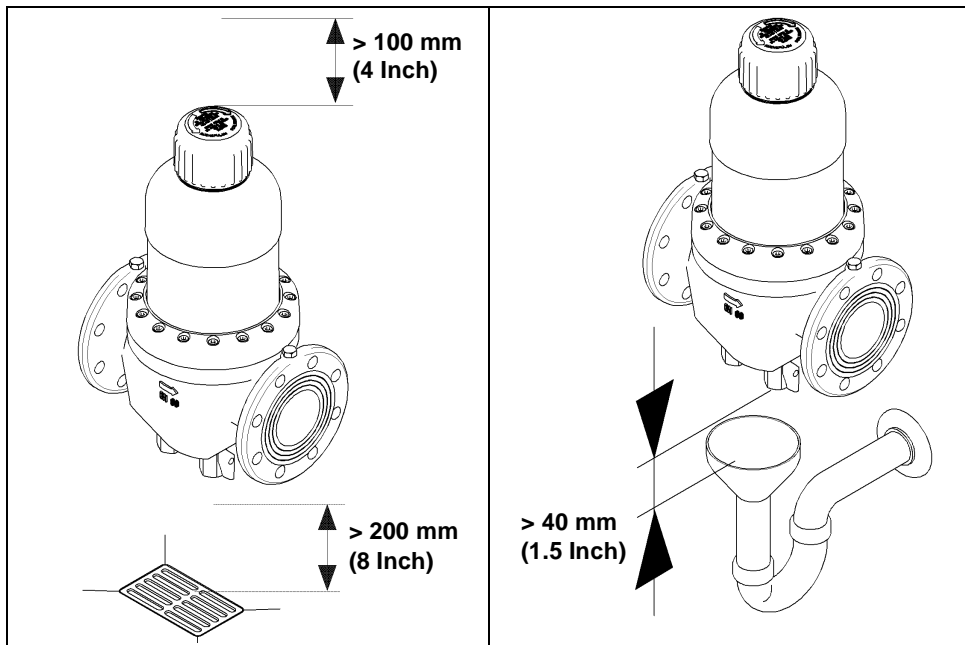


Fig. 2: Application

Example for installation

The installation of the Backwash Protective Filter is effectuated up to a water pressure of 150 psi (1000 kPa), and concerning 2½" (DN 65) up to 232 psi (1600 kPa) behind the water meter, and the backflow preventer before a possibly mounted pressure reducer (see fig. 3).

In the event of **water pressure above 150 psi (1000 kPa)**, the pressure reduction valve should be fitted **in front** of the Backwash Protective Filter (see fig. 3). If the operating pressure is above 150 psi (1000 kPa), this may result in defects during operation.



The installation of a pressure reduction valve is recommended for **water pressures between 73 psi (500 kPa) and 150 psi (1000 kPa)**.

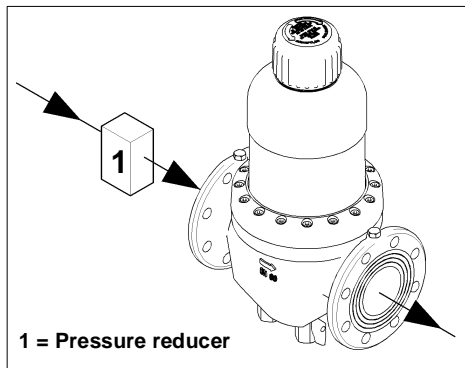


Fig. 3: Pressure reducer upstream of the unit. Example: JPF 2½" (DN 65)

For the backwashing water a wastewater connection (for example a floor drainage) in accordance with DIN 1986 must be in place. If a wastewater connection directly under the filter is not possible, the rinse water can be led by means of a line to be mounted on

the rinse water valve [same dimension as the rinse water valve] a few meters away to the next wastewater connection. When pivoting a pipe for the derivation of the rinse water it has to be paid attention to the fact that the spherical faucets are not twisted, because these are pasted in by means of thread locking devices.

Design of Backwash water connection

The dimensioning of the channel cross sections for the backwash water depends on the local conditions. For example the downward gradient of the wastewater pipe, the quantity of the detours, length of the sewage pipe.

Commissioning

Before starting up (initial putting into service or start-up after maintenance work), **fill** the Backwash Protective Filter with water and **vent!**

Operation

For cleaning the filter the handwheel is untwisted to the left as far as it will go and closed to the right afterwards, till no more rinse water flows out. Rough impurities can be removed by opening the sludge trap ball valve that is built in before the backwash ball valves. According to DIN standard 1988 it is recommended to backwash the filter approximately every 2 months. Depending on the water flow as well as on the kind of coarse-grained and fine-grained impurities and the extent to which these are existing in the water, a backwashing can be necessary within shorter time intervals. The backwashing takes place at full water line pressure. At pressures higher than 30 psi (200 kPa), it is necessary that the backwash stream is throttled by means of the backwash ball valve. Doing this it is prevented, that the sieve cloth is damaged by a too strong pressuring of the suction tube. At the same time the rinse water consumption is reduced. With a flush valve opened to one hundred

percent and a pressure between 30 psi (200 kPa) and 44 psi (300 kPa) the backwash volume current amounts to approx. 0.5 litres/per second concerning the filter unit JPF 2½" (DN 65), and to approx. 1 liter/per second concerning the filter units JPF 3" (DN 80) - 3" (DN100).

External Cleaning

Use only clear, drinking water concerning the cleaning of the housing and the transparent filter hood.

Domestic all-purpose cleaners and glass cleaners can contain up to 25% solvents or alcohol (spirits).

These substances can chemically attack the plastic parts, which can lead to brittleness right up to [brittle] fractures.

These kinds of cleaners must therefore not be used.

Customer Service

We wish you anytime a trouble-free operation.

Should occur, however, short-comings, sometime or if there are queries, our customer service will be pleased to be at your disposal for further information.

Warranty and Services

In order to comply with the legal warranty claim, according to DIN 1988, Part 8, it is necessary that the "... backwashing takes place at least every 2 months, after operating conditions exist ...".

Regular servicing is indispensable in order to continue to achieve a successful treatment for many years after the unit is put into service. In the building services sector this is covered by DIN 1988, Part 8.

A servicing agreement is the best way to ensure a good operating function beyond the warranty period.

Wherever possible, the regular servicing work and supply with consumables and wearing materials, etc. should be carried out by the specialist trade or the factory's customer service department.

Type

Backwash Protective Filter

JUDO PROFI 2½" (DN65) - 4" (DN100)

Abbreviated Designation:

JPF 2½" (DN65) - 4" (DN100)

Design Types

Model	Pipe connection	Order No.
JPF 2½" (DN65)	2½"	8010138
JPF 3" (DN80)	3"	8010117
JPF 4" (DN100)	4"	8010139

Technical Data

The following applies for all the models of the device:

- Pressure loss when clean (after backwashing): 3 psi (20 kPa) at the water flow rate (nominal flow rate) given in the table.
- Maximum ambient temperature and water temperature: 30 °C (86 °F).
- **The water to be filtered must possess quality of drinking water!**
- Threaded connection to DIN 2999.
- Flange connection according to DIN 2633.

Nominal Pressure

Model	Operating Pressure	Nominal Pressure
JPF 2½" (DN65)	22 - 150 psi (150 - 1000 kPa)	PN 16
JPF 3" (DN80), 4" (DN100)	22 - 150 psi (150 - 1000 kPa)	PN 10

The nominal pressure denotes the pressure class, according to which the filter must fulfill the requirements to DIN EN 13443-1 and DIN 19628. The maximum operating pressure is lower, in order to ensure the optimum function of the filter.

Water flow rate

Model	Water flow rate for a pressure loss of 3 psi (20 kPa) with clean sieve insert ¹⁾
JPF 2½" (DN65)	119 gpm (27.0 m³/h)
JPF 3" (DN80)	220 gpm (50.0 m³/h)
JPF 4" (DN100)	308 gpm (70.0 m³/h)

- 1) Data concerning the water flow rate are valid for drinking water. The maximum water flow rate for more polluted water is lower, depending on the mesh size. If so, a larger dimension has to be chosen.

Installed dimensions

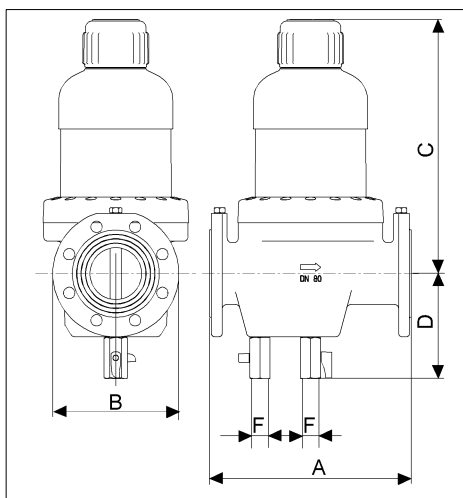


Fig. 4: Installed dimensions e.g.: JPF 3" (DN80)

All dimensions in inch (mm) (see fig. 4)

Model	A	B	C	D	F
JPF 2½" (DN65)	9.4 (240)	7.3 (185)	13.1 (332)	6.3 (159)	¾"
JPF 3" (DN80)	12.5 (320)	9.1 (232)	15.8 (402)	6.5 (166)	¾"
JPF 4" (DN100)	12.5 (320)	9.1 (232)	16.2 (412)	6.9 (176)	¾"

A = Installation length

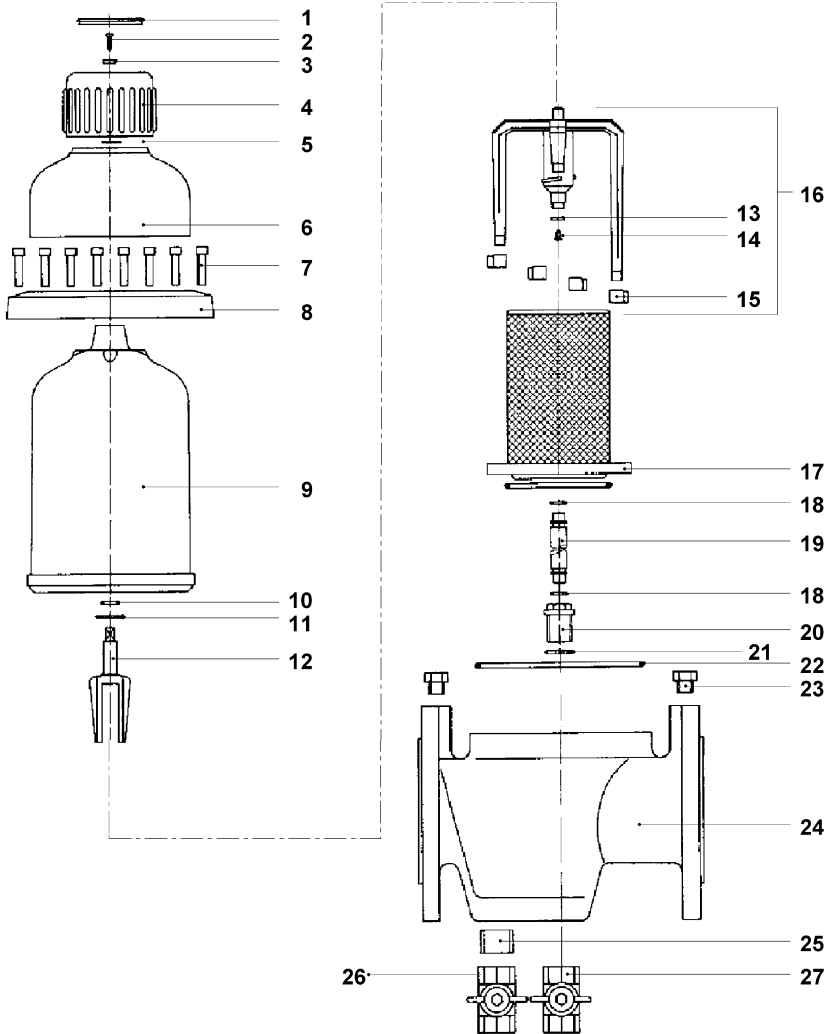
B = unit width

C = Height above pipe centre

D = Height below pipe centre

F = Connection dimension waste water

Spare Parts JPF 2½" - 4"



List of Spare Parts JPF 2½" - 4"

Item	Designation (Recommended average replacement interval for wearing parts [*)	Piece (s)	2½" Order No.	Piece (s)	3"-4" Order No.
1	Lid of handwheel	1	1607152	1	1607152
2	Countersunk screw M5x12	1	1607454	1	1607454
3	Disk A 6,4	1	1650142	1	1650142
4	Handwheel	1	1607151	1	1607151
5	Spacer disc	-	-	-	1120137

List of Spare Parts JPF 2½" - 4"

Item	Designation (Recommended average replacement interval for wearing parts [*)	Piece (s)	2½" Order No.	Piece (s)	3"-4" Order No.
6	Casing top part JPF 2½"	1	1120035	1	-
6	Casing top part JPF 3" - 4"	1	-	1	1120136
	Type Plate	1	1701778	1	1701778
7	Cheese-head screw M 6x45	6	1607417	-	-
7	Cheese-head screw M 8x45	-	-	1	1650208
8	Flange ring	1	2020102	1	2010032
9	Filter hood	****	1607101	1	1120129
10	O-ring 15x3.2	****	1607420	1	1607420
11	O-ring 28x2.5	****	1200027	1	1200027
12	Tappet	1	2020034	1	2020034
13	Suction Pipe Gasket	****	1607113	1	1200056
14	Tapping screw	1	1607114	1	1650125
15	Mouthpiece (Nozzle)	****	1607104	4	1120135
16	Suction Pipe complete	1	2607135	1	2010029
17	Filter Screen MW 0.10 mm (0.004 inch)	****	2010380	1	2010376
18	O-ring	1	1607110	2	1607110
19	Flush pipe JPF 3"	-	-	1	2010039
19	Flush pipe JPF 4"	-	-	1	2010044
20	Tube Connection	1	2010018	1	2010031
21	O-ring 26x3	1	1607111	1	1607111
22	O-ring 113.7x5.3	****	1607112	1	1200058
23	Plug ¼"	2	2290001	2	2290001
24	Filter Bottom JPF 2½"	1	2020048	-	-
24	Filter Bottom JPF 3"	-	-	1	2020752
24	Filter Bottom JPF 4"	-	-	1	2020753
25	Nipple	1	2010012	1	2010012
26	Spherical Faucet	2	1610004	2	1610004
Spare part set consisting of Item. 10, 11, 13, 15, 17,22		1	2010225	1	2010226

Replacement interval: **** = 4 Years

Customer Service



JUDO Water Treatment Inc.

2060 Steeles Ave. West, Unit 4
Concord, Ontario L4K 2V1

Phone: (905) 761-1555

Fax: (905) 761-3335

E-Mail: service@judo-online.com

www.judo-online.com

Installed by:

All illustrations, dimensions and information for the different models are those valid on the date of printing. All rights are reserved for modifications as a result of technical progress or further developments. Claims with regard to models or products are excluded.

1701746 • 2009/08