

GB

# Installation and Operating Instructions

F

# Instructions de montage et de service

## JUDO EASY FILT-DOS

Backwash protective filter with phosphate dosage function used to stabilize the hardness  $\frac{3}{4}$ " –  $1\frac{1}{4}$ "

Filtre de protection à rétrolavage dont la fonction dosage du phosphate permet la stabilisation de la dureté  $\frac{3}{4}$ " –  $1\frac{1}{4}$ "

---

### Attention:

Carefully read through the installation and operating instructions and safety information before installing and putting the unit into service.

These must always be issued to the owner/user.

---

Attention: Avant le montage et la mise en service, il est absolument indispensable d'avoir lu, compris et observé les instructions de montage et de service ainsi que les consignes de sécurité ! Il convient de toujours les remettre entre les mains de l'exploitant.

---

**Prolongated guarantee period if a maintenance contract has been concluded!**

**Extension de garantie dans le cadre d'un contrat de maintenance!**

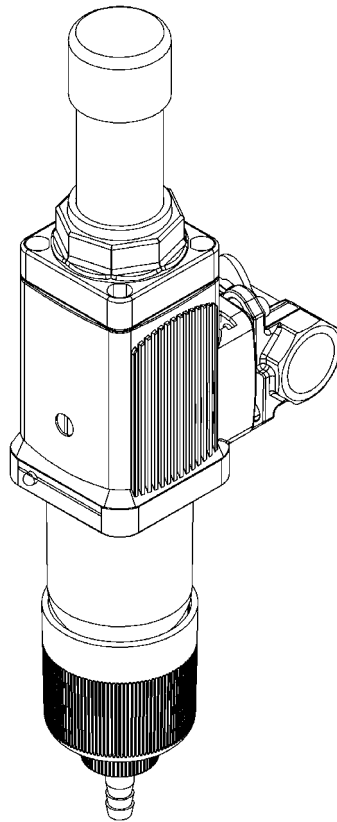


Fig.: JEF-DOS  $\frac{3}{4}$ " –  $1\frac{1}{4}$ "



## **Inquiries, orders, customer support**

JUDO Wasseraufbereitung GmbH

P.O. Box 380

D-71351 Winnenden

e-mail: info@judo.eu

www.judo.eu

## **Address**

JUDO Wasseraufbereitung GmbH

Hohreuschstraße 39-41

D-71364 Winnenden

**Dear Customer,**

**we would like to thank you for your confidence in us, which you have shown by purchasing this device. The product you have purchased is a filter developed using state of the art technology.**

**This filter is suitable for use in cold drinking water up to a maximum ambient temperature of 30 °C (86 °F).**

**It removes coarse and fine-grained particles larger or equal in size to the filter screen (strainer) mesh from the filter through screen filtration.**

**Via a new special water treatment device the predisposition of drinking water to generate calcium deposits is reduced.**

**Particles smaller than the screen mesh size used, turbidities (i.e. substances that make the water turbid) and substances dissolved in the water cannot be filtered out of the water.**

**Each unit is thoroughly checked before delivery. Nevertheless, should difficulties occur, please contact the responsible customer service (see back page).**

Trademarks:

Trademarks used in this document are protected and registered trademarks of the respective holder.

© JUDO Wasseraufbereitung GmbH

D-71364 Winnenden

All rights reserved.

Reprints – even of extracts – is only permitted with special approval.

**Table of Contents**

1. About this Instruction Manual ..... 3  
 1.1 Symbols used ..... 4  
 1.2 Safety information and dangers due to non-compliance ..... 4  
 1.3 Units used..... 4  
 2. Intended Use ..... 5  
 2.1 Water Pressure..... 5  
 2.2 Notes on special dangers ..... 6  
 3. Product Information ..... 6  
 3.1 Intended purpose..... 6  
 3.2 Materials used ..... 6  
 4. Installation ..... 7  
 4.1 General..... 7  
 4.2 Discharging the backwashing water ..... 9  
 5. Operation..... 10  
 5.1 Commissioning ..... 10  
 5.2 Functional description..... 10  
 5.3 Exchanging the phosphate cartridge..... 11  
 5.4 Backwashing ..... 12  
 5.5 Modifications / changes / spare parts..... 13  
 5.6 Stoppages ..... 13  
 6. Faults..... 14  
 7. Maintenance ..... 15  
 7.1 Cleaning ..... 15  
 8. Warranty and Services ..... 15  
 9. Data Sheet ..... 16  
 9.1 Type..... 16  
 9.4 Installation dimensions JEFDOS ¾" - 1¼"..... 17  
 9.5 Extent of Supply ..... 17  
 10. Spare Parts JEFDOS ¾" – 1¼" ..... 18

**1. About this Instruction Manual**



(see chapter “Safety information and dangers due to non-compliance”)

The instruction manual must be permanently available at the place in which the filter is used.

This instruction manual is intended to make it easier to familiarize yourself with the filter and its possible intended uses.

The instruction manual contains important information in order to safely, properly and economically run the filter.

It contains fundamental information, which must be observed during installation, operation and maintenance. Observance of this information helps to avoid dangers, reduce repair costs and increase the reliability and service life of the filter.

The instruction manual must be read and used by each person entrusted with carrying out work on the filter, for example:

- **Installation**
- **Operation**
- **Maintenance**  
(servicing, inspection, repair)

Installation and maintenance may only be carried out by personnel authorized by the manufacturer, who are capable of fulfilling the instructions given in the installation and operating instructions and the country-specific regulations.

Apart from the instruction manual and the legally binding accident prevention provisions applicable in the country and place of use, the recognized technical regulations for safe and proper work must also be observed.


Therefore, this instruction manual must always be read by the fitter and responsible skilled personnel/owner or operator before installation, putting into service and maintenance.


**Not only the general safety notes given in the on chapter “Intended Use” are to be observed, but also the special safety notes inserted under the other main items.**


### 1.1 Symbols used

The safety notes contained in this instruction manual are labelled with the following symbols:

 **ATTENTION**  Notes on existing dangers

 Warning, electrical voltage.

 Torques specified by the manufacturer.

 Tips for use and other information.

Notes directly attached to the backwash protective filter, e.g.

- Direction of flow (see Fig. 1)
- Rating plate
- Cleaning information

must always be observed and kept in a fully legible condition.

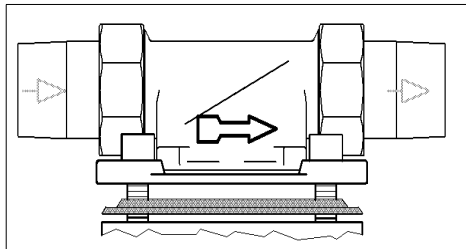


Fig. 1: Built-in rotary flange

### 1.2 Safety information and dangers due to non-compliance

In detail, failure to observe the general danger symbols can result, for example, in the following risks:

- Failure of important functions of the backwash protective filter.
- Danger to persons due to electrical and mechanical effects.
- Danger to persons and the environment due to leaks.

Refrain from any unsafe working methods.

Failure to comply with this instruction manual and the safety information can not only result in dangers for people but can also harm the environment and the unit.

### 1.3 Units used

In derogation of the International System of Units (SI = System International), the following units are used:

Units	Conversion
°F	°F = 9/5 °C + 32
bar	1 bar = 10 <sup>5</sup> Pa = 0,1 N/mm <sup>2</sup>
psi	1 bar = 14.5 psi
¾"	DN 20
1"	DN 25
1¼"	DN 32
gal/min (US)	1 m <sup>3</sup> /h = 1000 l/h = 4.4029 gal/min

## 2. Intended Use

The installation and operation of the filter is subject to the following existing national regulations.

In addition to the operating instructions and the obliging regulations concerning accident prevention that exist in the country of operation and the location of use, the established technical regulations concerning safe and professional work, should also be observed.

**The water which is to be treated should fulfil the requirements stipulated by European drinking water directives!**

It is absolutely essential that the manufacturer / supplier will be consulted prior to any operation of the device using water of a different quality, respectively with water that contains additives.

This filter is suitable for use in cold drinking water up to a maximum ambient temperature of 30 °C (86 °F).

The filter has been developed and manufactured using state of the art technology and the established safety regulations in Germany.

The filter may only be operated in accordance with the manufacturer's specifications. Any other operation or operation beyond the specified use, is not in accordance with the manufacturer's specifications.

Additional dangers may result in the event of the device not being operated in accordance with the manufacturer's specifications and non-observance of the danger symbols or safety instructions. The manufacturer / supplier cannot be made liable for any damages caused by these additional dangers. The operator is responsible for these risks.

The use of the device in accordance with the customer's specifications includes the observance of the operating instructions.

The manufacturer/supplier should be consulted prior to any operation of the filter other than in the operational areas stated in these operating instructions.

The filter may only be operated in a technically faultless condition, in accordance with the manufacturer's specifications and the stated safety and danger relevant instructions and under observance of the operating instructions!

**Any functional defects are to be removed immediately!**

### 2.1 Water Pressure

The water pressure should be between 1.5 bar and 6 bar.

The water pressure must not exceed 1.5 bar as otherwise the backwashing can be impaired! If the filter is not backwashed regularly a pressure loss can result and this can impair the filter function.



(see chapter "Safety information and dangers due to non-compliance")

In the event of **water pressure above 6 bar**, the pressure reduction valve should be fitted **in front** of the backwash protective filter (see Fig. 2). If the operating pressure is above 6 bar, this may result in defects during operation.

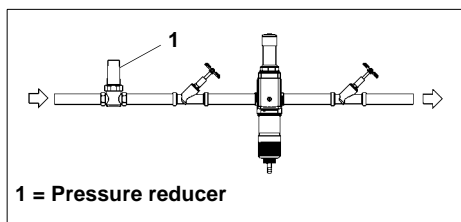


Fig. 2: Pressure reducer upstream of the unit



The installation of a pressure reduction valve is recommended for **water pressures between 5 bar and 6 bar**.

## 2.2 Notes on special dangers

### 2.2.1 Electrical equipment / installations



There must not be any electrical cables and devices underneath or in the immediate vicinity of the filter!

Electrical devices / equipment that are not splash-water proof and are situated in the direct vicinity of the filter may be damaged by water leaking from the filter caused as a result of the device not being operated in accordance with the manufacturer's specifications. In addition this may also result short circuits if these electrical devices / equipment being connected to the electrical power supply. In the event of such cases persons are at risk and may sustain electrical shocks. Therefore any electrical devices / equipment situated in the direct vicinity should be splash-water proof, respectively comply with the statutory requirements for wet areas (IP44).

## 3. Product Information

### 3.1 Intended purpose

This filter is suitable for use in cold drinking water up to a water temperature of maximum 30 °C (86 °F).



**ATTENTION**



(see chapter "Safety information and dangers due to non-compliance")

Please refer to the chapter on "Intended Use" for use restrictions.

This filter removes coarse and fine-grained particles from the water which are larger than or equal in size to the mesh size of the filter.



Particles smaller than the supplied mesh size and impurities causing turbidity cannot be filtered out of the water.

### 3.2 Materials used

The materials used are physically, chemically and corrosively resistant against the loads that can be expected in the drinking water and fulfill the DIN EN 13443-1 and DIN 19628 standards ("Mechanically operated filters in the water installation"). All materials are physiologically and hygienically safe. Metallic materials fulfill the requirements of the German DIN 50930-6 standard ("Impact on the Drinking Water Quality").

## 4. Installation

### 4.1 General



(see chapter "Safety information and dangers due to non-compliance")

The unit may only be installed by skilled personnel.

The chapter "Intended Use" must always be observed!

The pipes must be able to safely support the filter.

Otherwise mechanical damage or fractures/bursts can occur in the pipes. This can result in major water damage. People close to the filter are exposed to a health risk due to the large quantities of water released. Therefore, if necessary, the pipes must be additionally fixed or supported.

A space of at least 200 mm should be maintained above and below the filter. These distances are necessary to be able to properly carry out the backwashing (see chapter "Backwashing").

#### 4.1.1 Requirements for the place of installation

**The room where the unit is installed must be dry and frost free!**

**Unauthorised persons must not have access to the filter!**



(see chapter "Safety information and dangers due to non-compliance")

- The ambient temperature must not exceed 30 °C (86 °F)! At higher temperatures or direct sun radiation the material can be damaged and the filter hood can even break.
- In order to be able to safely discharge the wastewater in operation and in case of any defects that occur in the system, precise compliance with the details given in the "Installation" chapter is necessary! If the wastewater (backwashing) cannot be safely and completely discharged, the house and installations can be damaged by water.
- A shut-off valve must be installed upstream of the filter! This enables the water supply to the filter to be interrupted during installation, servicing/maintenance, repairs and in case of malfunctions. Floods and serious water damage to house installations can therefore be avoided.
- The unit can be installed in all standard drinking water pipes.
- It is not permitted to install the filter **upstream of** the water meter!

#### 4.1.2 Installing position



(see chapter "Safety information and dangers due to non-compliance")

Always install the filter in a vertical position ( $\pm 5^\circ$ )!

Failure to observe this can cause uncontrolled backwashing water to escape and can result in water damage.

## Installation schema

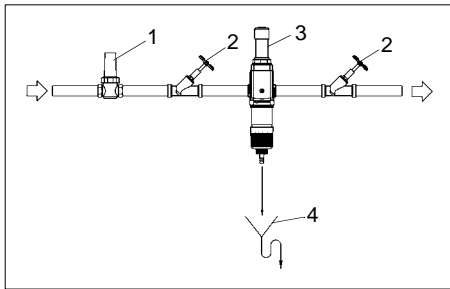


Fig. 3: Installation

- 1 - Pressure reducer
- 2 - Shut-off valve
- 3 - JEFDOS backwash protective filter
- 4 - Wastewater connection

### 4.1.3 Mounting the built-in rotary flange

Install using the supplied built-in rotary flange. The built-in rotary flange is used as a connecting element between the pipe and the filter.

**The built-in rotary flange must be installed in the direction of flow. This is marked by a cast in arrow.**

Failure to comply with this means the filter cannot work.



(see chapter "Safety information and dangers due to non-compliance")

The flange surface of the built-in rotary flange must be in a horizontal position! The built-in rotary flange must be fitted so that mechanical stresses cannot occur! Otherwise mechanical damage can result in the built-in rotary flange. Otherwise mechanical damage can result, the pipe may burst or the built-in rotary flange can break. This can result in major water damage.

In this case, people close to the filter are exposed to a health risk due to the large quantities of water.

Therefore, during installation, ensure that no large forces act on the pipe, built-in rotary flange and filter.

### 4.1.4 Installing the backwash protective filter



Select the torque (approx. 4 Nm) so that the gasket closes and the filter is not damaged or strained!

The filter is connected using the supplied built-in rotary flange. It consists of the built-in rotary flange and profiled flange seal.

Undo the built-in rotary flange union nuts and fit to the pipe with the sleeve.

Note the installed dimensions!

Position the filter with pre-fitted built-in rotary flange between the sleeves, insert the flat seals and screw using the union nut.

The cast in arrow of the built-in rotary flange must match the direction of flow of the water.



(see chapter "Safety information and dangers due to non-compliance")

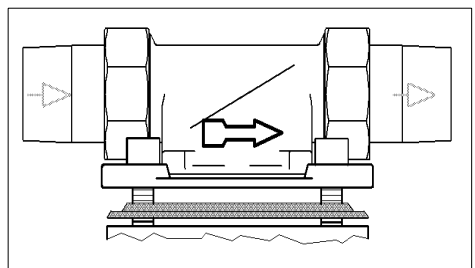


Fig. 4: Built-in rotary flange

The section of the profiled flange gasket must point towards the built-in rotary flange. Failure to observe this can lead to leaks and water escaping. This can in turn cause water damage to the house and its installations.

## 4.2 Discharging the backwashing water



(see chapter "Safety information and dangers due to non-compliance")

For the backwashing water a wastewater connection (for example a floor drainage) must be in place.

The dimensioning depends on conditions on site (e.g. wastewater pipe gradient, number of pipe bends, length of the wastewater pipe, etc.). The dimensioning must at least allow all the wastewater to be discharged at the same time. If it is not possible to provide a wastewater connection directly beneath the filter, the flushing water can be fed several meters to the next wastewater connection, either through a hose or a pipe to be fitted to the flushing water valve. This pipe must have the same dimension as the flushing water valve.

In all options, a free discharge must be ensured in accordance with the EN 1717 standard.

The following points must be noted if a bucket is used for backwashing:

- If the mains pressure is high, water can splash out of the bucket. In this case, damage to property close to the backwash protective filter is possible.
- When the bucket is half-filled, the backwashing process must be stopped. Otherwise it is possible for the bucket to overflow. Therefore the bucket must be adequately dimensioned and the backwashing should be carried out quickly.

## 4.2.1 Backwashing water discharge options

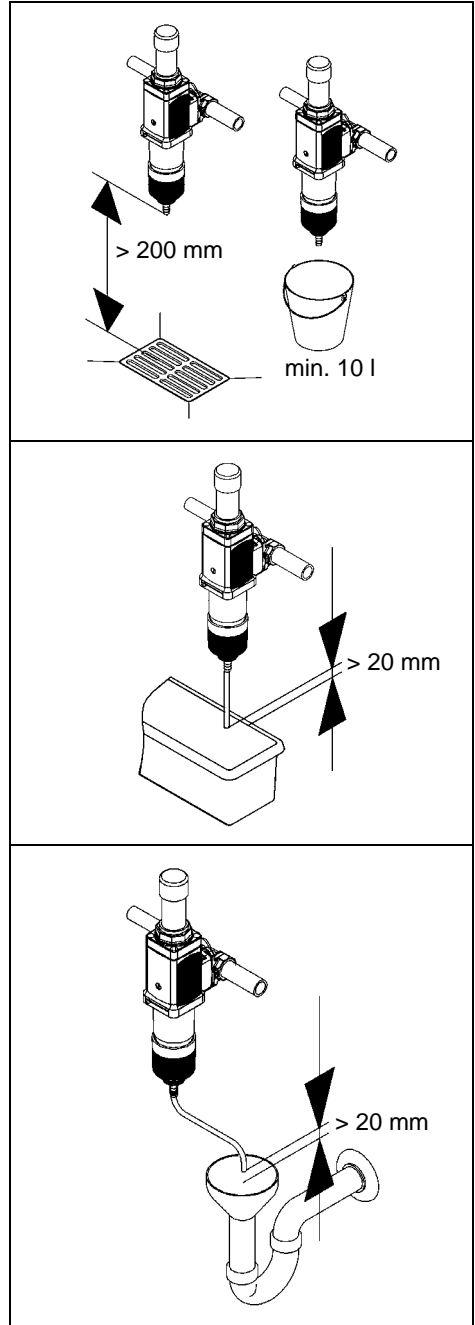


Fig. 5: Backwashing water discharge options

## 5. Operation



**ATTENTION**

(see chapter "Safety information and dangers due to non-compliance")

Always observe the chapter "Intended Use"!

### 5.1 Commissioning

Prior to the start-up (Initial start-up or start-up effected upon maintenance works) do **fill** the filter with water and **ventilate** the filter.

- In order to do so the filter, when having been installed, is filled with water through the opening of the upstream positioned shut-off valve.
- The filter has now become system-pressurized.
- The enclosed air has then immediately to be let out of the filter to avoid device damage through water hammers. The ventilation of the filter is effected via a backwash performance (see chapter: "Discharge of the backwash water") upon the backwashing and ventilation having been effected, the filter is ready-to-operate.

### 5.2 Functional description

Unfiltered water runs through the built-in rotary flange **(3)** into the backwash protective filter. The water flows through the fine filter outside-inside, dirt particles getting stuck on the filter cloth of the fine filter. The adherent contamination is externally visible through a transparent filter hood **(5)**. After having passed through the backwash protective filter, the water to be treated is redirected upwards and flows through a phosphate metering device **(1)**. In the process the drinking water is added small amounts of solved food-grade polyphosphate **(2)**. Thus the natural amount of

calcium and magnesium contained in drinking water is stabilized. From this point on no harmful lime deposits (e. g. found in pipings or at heater rods) can develop in the installation. Phosphate is a mineral that is also added to various foods.

When stabilizing the water hardness with polyphosphates the consumption of detergents is substantially lower. Due to lower water hardness a washing machine e. g. needs respectively less detergent.

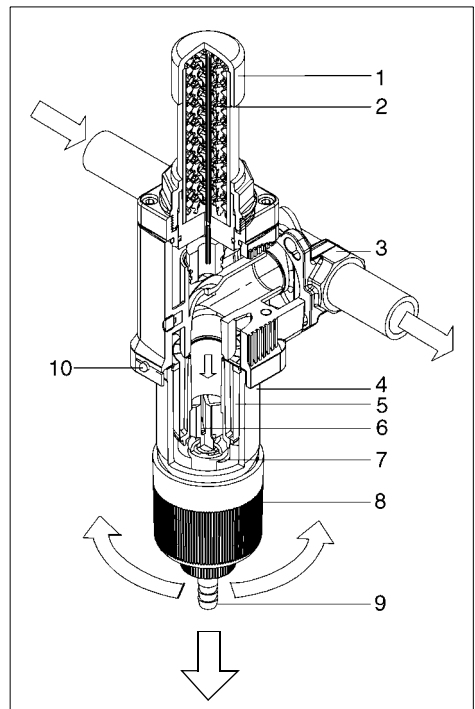


Fig. 6: Functional description

- 1 Phosphate cartridge
- 2 Phosphate crystals
- 3 Built-in rotary flange
- 4 Filter hood
- 5 Sieve insert
- 6 Suction pipe
- 7 Flush valve

- 8 Backwash wheel, manually operated
- 9 Rotary hose connection piece/ backwash water
- 10 Indicator knob to show the next backwash date

### 5.3 Exchanging the phosphate cartridge

The phosphate cartridge must be exchanged after 12 months at the latest!

The phosphate cartridge is exchanged as follows:

1. Close the shut-off valves (1) upstream and downstream of the device (see Fig. 7).

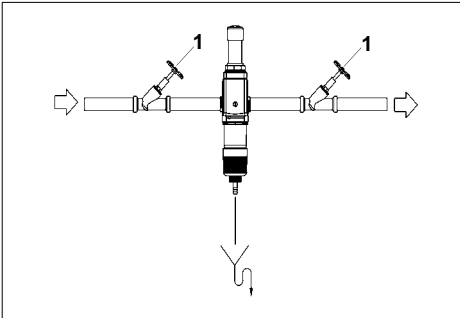


Fig. 7: Cartridge exchange I

2. Turn the handwheel for backwashing (2) counterclockwise so that the pressure remaining in the device can escape (see Fig. 8).
3. Unscrew the union nut (3) at the phosphate cartridge counterclockwise.

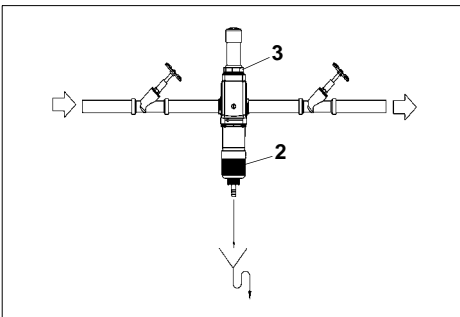


Fig. 8: Cartridge exchange II

4. Lift the empty phosphate cartridge (4) out of the device (see Fig. 9).
5. Insert the new phosphate cartridge (5) into the device.

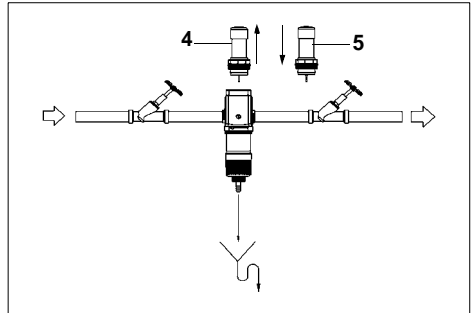


Fig. 9: Cartridge exchange III

6. Screw in the union nut (3) clockwise and tighten it hand-tight (approx. 1 Nm) (see Fig. 10).
7. Turn the handwheel for backwashing (2) clockwise all the way to the stop.
8. Open the shut-off valves (1) again.

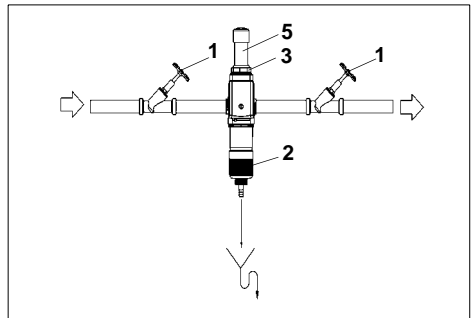


Fig. 10: Cartridge exchange IV

9. De-aerate the device. At an extraction point let out water for about 1 minute with a flow rate of approx. 1000 - 2000 l/h (resp. 4,4 - 8,8 gal/min).

## 5.4 Backwashing

The filter must be backwashed (=cleaned) at the specified cycles in order to remove the filtered dirt from the fine filter screen.



All sizes of filter are backwashed with treated water. The supply of treated water to the filter station is maintained throughout the backwashing process. Dirty water cannot get into the clean water side during backwashing.

The backwashing takes place at full tap (water system) pressure.

To clean the backwash protective filter, the handwheel must be turned to the left up to the limit stop, thereby opening the flushing valve. While the handwheel is being turned the flushing water escapes. The flushing valve must then be closed again by turning the handwheel to the right.

The ceramic flushing valve thus closes again and the backwashing process is completed.



Both the degree of soiling and the cleaning process can be observed from the outside.



**ATTENTION**



(see chapter "Safety information and dangers due to non-compliance")

If the locking procedure is interrupted the flushing valve is not completely closed.

Water permanently escapes as a result. Apart from high water consumption, this can also cause water damage, especially if the backwashing water is not discharged as described in the chapter "Discharging the backwashing water".

### 5.4.1 Backwashing interval

The backwash protective filter must be backwashed:

- Every two months at the latest.
- If the water pressure falls.
- If the backwash protective filter is visibly dirty.



There is a display button on the built-in rotary flange attached to the backwash protective filter. It can be slid along the months scale. This enables the backwashing interval to be monitored.



**ATTENTION**



(see chapter "Safety information and dangers due to non-compliance")

If the interval until the next backwashing is longer than two months, the particles on the filter screen can stick or a large filter pressure resistance can result.

Unauthorised persons must not operate the filter! Persons who operate the filter must observe the operating instructions. Failure to observe these instructions can result in damage to property and personal injuries.

The smaller the mesh size of the screen insert the more frequently backwashing is required!

From experience, increased dirt is deposited during the initial running period. In this case the unit will have to be flushed more frequently than normal.

Failure to flush in good time can cause damage to the screen. Large quantities of filtered particles can deform the screen. As a result, proper function of the filter is no longer ensured. In addition, large quantities of dirt can cause mechanical damage to the backwashing function.

## 5.5 Modifications / changes / spare parts



(see chapter “Safety information and dangers due to non-compliance”)

Only original spare parts are to be used!

Independent modifications and changes are prohibited for safety reasons! These can impair the function of the filter, lead to lead and in extreme cases can cause the filter to burst.

The test marks imprinted on the unit are only valid if original spare parts are used.

### 5.5.1 Servicing / Repair

Before carrying out any work on the filter, which extends beyond pure operational control, the filter must be depressurised! Failure to observe this can lead to an uncontrolled escape of water and therefore lead to water damage in the building. Strictly comply with the instructions given in the “Installation” and “Maintenance” chapters.

## 5.6 Stoppages



(see chapter “Safety information and dangers due to non-compliance”)

If a filter has to be removed from the flange or unscrewed, the chapter „Intended use“ must always be observed!

- Protect the flange surfaces from damage! Damaged flange surfaces cannot close tight. As a result, escaping water can damage the building and installations.
- Ensure that no dirt can get into the filter! This dirt can get into contact with and be discharged into the drinking water when the filter is switched back on. The health of people who drink dirty water is at risk.
- Store the filter in frost-free conditions! Frost can cause any water contained in the filter voids to freeze and thus cause mechanical damage to the filter so that it leaks at operating pressure or can burst. Leaking water can cause major damage to the building. In addition, people near the filter can be injured by breaking off filter parts.
- When restarting the filter, follow the instructions for a new filter.

## 6. Faults

**In order to ensure unit safety and leak tightness, only approved persons may open the units and replace parts subject to water pressure.**

**Help with faults:**

Fault	Cause	Remedy
Backwashing water continues running!	Flushing valve not fully closed.	Repeat the backwashing and then turn to the right up to the limit stop of the flushing valve!
	Dirt in the flushing valve.	
Water flow rate falls!	Screen is blocked.	Carry out backwashing.
Leaks in the Backwash Protective Filter!	Filter cover has been exposed to high temperatures or solvents.	Inform the fitter or nearest customer service centre. (The filter cover must be replaced immediately.)
Filter cover becomes turbid!		
Hairline cracks on the filter hood!		
Phosphate has run out.	Phosphate cartridge is empty.	Insert a new phosphate cartridge.
Phosphate cartridge is leaky after inserting.	O-ring might be seized.	Check if the o-ring at the phosphate cartridge fits correctly.
Phosphate cartridge does not de-aerate.	Water flow is too low.	Increase the water flow to 1000-2000 l/h or manually fill the cartridge with water.

## 7. Maintenance



(see chapter "Safety information and dangers due to non-compliance")

Always observe the chapter "Intended Use"!

### 7.1 Cleaning



(see chapter "Safety information and dangers due to non-compliance")

**Only use clear, clean drinking water to clean the housing and transparent filter cover.**

Domestic all-purpose cleaners and glass cleaners can contain up to 25% solvents or alcohol (spirits).

These substances can chemically attack the plastic parts, which can lead to brittleness or even fractures.

**Such cleaners must therefore not be used.**

## 8. Warranty and Services

In order to comply with the legal warranty claim, according to DIN 1988, Part 8, it is necessary that the "... backwashing takes place according to the existing operating conditions, at the latest, however, every two months ...".

Further, an annual "... check of the set discharge pressure at the pressure gauge (visual check) when no water is flowing and at the peak flow (large amount drawn off) ..." is necessary.

Regular servicing is indispensable in order to continue to achieve a successful process for many years after the unit is put into service. In the building services sector this is covered by DIN 1988, Part 8.

A servicing agreement is the best way to ensure a good operating function beyond the warranty period.

Wherever possible, the regular servicing work and supply with consumables and wearing materials, etc. should be carried out by the specialist trade or the factory's customer service department.

## 9. Data Sheet

- The water to be filtered must conform to the European Drinking Water Regulations!

### 9.1 Type

JUDO EASY FILT DOS  
Backwash Protective Filter with phosphate dosage function

Abbreviated name: JEFDOS

- Threaded connection to DIN 2999.

### Nominal Pressure

Model	Operating Pressure	Nominal Pressure
JEFDOS ¾" – 1¼"	1.5 – 6 bar (21.75 – 87 psi)	PN 10

### 9.2 Models

Model	Order No.
JEFDOS ¾"	8215013
JEFDOS 1"	8215014
JEFDOS 1¼"	8215015

The nominal pressure denotes the pressure class, according to which the filter must fulfill the requirements of DIN EN 13443-1 and DIN 19628. The maximum operating pressure is lower, in order to ensure the optimal function of the filter.

### 9.3 Technical Data

The following applies for all the models of the device:

- The filters are supplied with a stainless steel screen with a mesh size of 0.1 mm as a standard.
- Pressure loss when clean (after backwashing): 0.2 bar at the water flow rate (nominal flow rate) given in the table.
- Maximum ambient temperature and water temperature: 30 °C (86 °F).

Model	Weight	Water flow rate up to	Pressure loss after backwashing	Back-flush volume stream
JEFDOS ¾"	2.4 kg	1.2 / 2.0 m <sup>3</sup> /h (5.28 / 8.8 gal/min)	0.2 / 0.5 bar (2.9 / 7.25 psi)	0.3 l/s (4.75 gal/min)
JEFDOS 1"	2.5 kg	1.6 / 2.7 m <sup>3</sup> /h (7.04 / 11.88 gal/min)	0.2 / 0.5 bar (2.9 / 7.25 psi)	0.3 l/s (4.75 gal/min)
JEFDOS 1¼"	2.9 kg	2.0 / 3.0 m <sup>3</sup> /h (8.8 / 13.2 gal/min)	0.2 / 0.5 bar (2.9 / 7.25 psi)	0.3 l/s (4.75 gal/min)

The backwashing volumetric flow given applies to 2 - 3 bar mains pressure and for a completely opened flushing water valve.

## 9.4 Installation dimensions JEFDOS $\frac{3}{4}$ " - $1\frac{1}{4}$ "

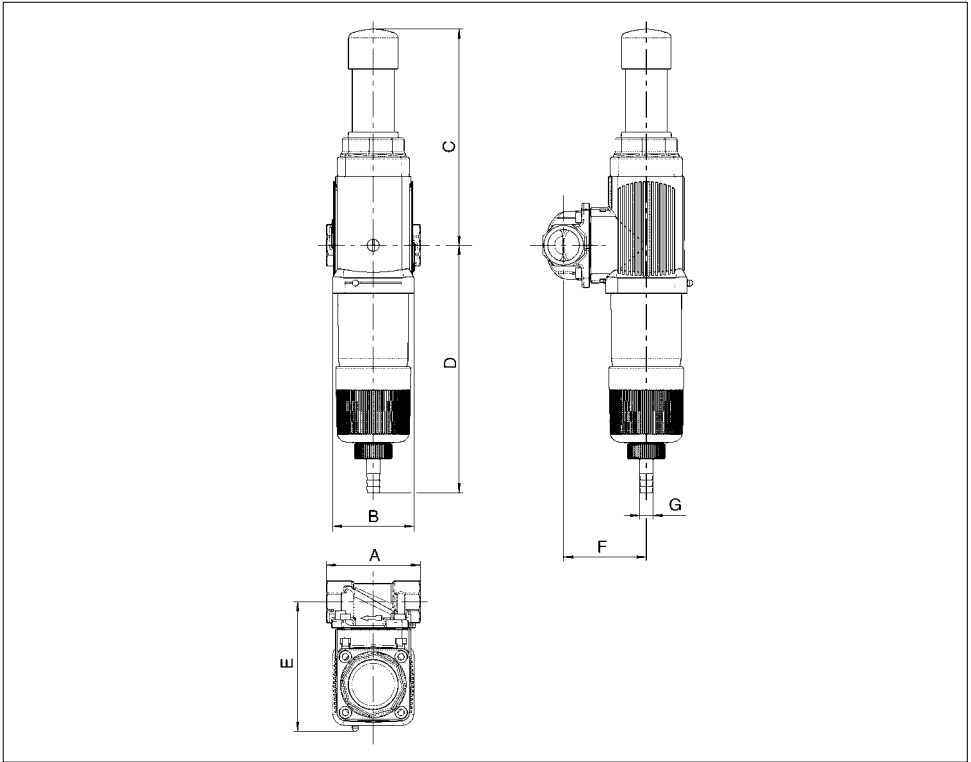


Abb. 11: Installation dimensions JEFDOS  $\frac{3}{4}$ " -  $1\frac{1}{4}$ "

Model	A	B	C	D	E	F	G
JEFDOS $\frac{3}{4}$ "	90	78	206	236	124	79	13
JEFDOS 1"	90	78	206	236	124	79	13
JEFDOS $1\frac{1}{4}$ "	110	78	206	236	124	79	13

All dimensions in [mm] (see Fig.7)

A = Installation length

B = Device width

C = Height above pipe centre

D = Height below pipe centre

E = installation depth till pipe centre

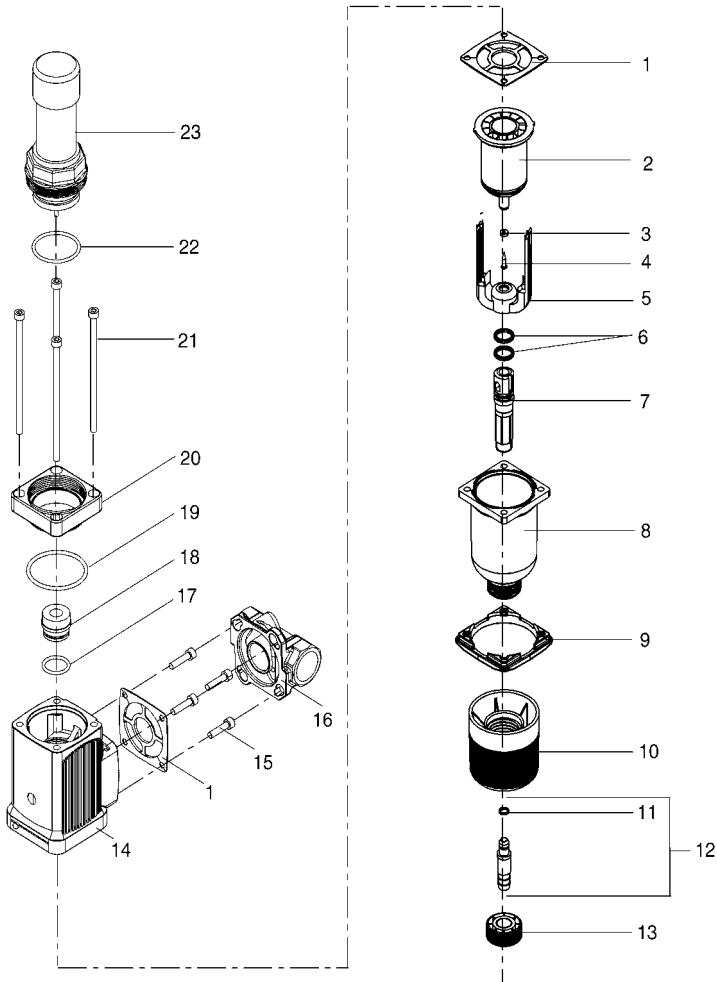
F = Connection dimension residual water

G = Nominal diameter residual water

## 9.5 Extent of Supply

- Pre-installed backwash protective filter
- Installation- and Operation Instructions
- Built-in rotary flange JQE  $\frac{3}{4}$ ", 1" or  $1\frac{1}{4}$ "

## 10. Spare Parts JEFDOS ¾" – 1¼"



## List of Spare Parts JEFDOS ¾" – 1¼"

Item	Designation (Recommended average replacement interval for wearing parts [**])	Piece(s)	Order No.	AU <sup>1)</sup> /Piece
1	Profile flange seal	** 2	1200218	5
2	Strainer	**** 1	2150015	68
3	Suction Pipe Gasket	**** 1	1607410	3

## List of Spare Parts JEFDOS ¾" – 1¼"

Item	Designation (Recommended average replacement interval for wearing parts [**])	Piece(s)	Order No.	AU <sup>1)</sup> /Piece
4	Tapping screw	1	1650173	1
5	Suction Pipe	1	1120217	12
6	O-ring 16 x 2,5	2	1200130	3
7	Flushing valve	1	1120212	8
8	Filter bell	1	1120309	140
9	Flange	1	1420013	20
10	Hand wheel	1	1120215	20
11	O-ring 6.07 x 1.3	1	1200137	2
12	Tube connection pre-mounted	1	1120213	5
13	Union nut	1	1120214	4
14	Filter housing	1	2110055	102
15	Cylinder screw M6 x 25	4	2010199	2
16	JQE ¾"	1	1420014	-
16	JQE 1"	1	1420015	-
16	JQE 1¼"	1	1420016	-
17	O-ring 24 x 3	1	1200308	5
18	Injection nozzle	1	1160054	19
19	O-ring 53 x 3	1	1200185	2
20	Cartridge seat	1	2210440	48
21	Cylinder screw M6 x 130	4	1650134	6
22	O-ring 43 x 3	1	1200187	2
23	EASY phosphate cartridge	1	8215019	a)

1) AU = Accounting Unit

a) see current price list

Replacement interval

\*\* = 2 years

\*\*\*\* = 4 years

Upon conclusion of the maintenance contract with our factory customer service or with a JUDO-franchised specialised tradesman within a six months' period following the installation date, the warranty period will be extended to four years, starting with the installation date. Wear parts excluded.

## **Demandes, commandes, service clientèle**

JUDO Wasseraufbereitung GmbH

Postfach 380

D-71351 Winnenden

e-mail: info@judo.eu

www.judo.eu

## **Adresse à domicile**

JUDO Wasseraufbereitung GmbH

Hohreuschstraße 39-41

D-71364 Winnenden

**Chère cliente, cher client,**

**nous vous remercions pour la confiance que vous nous avez témoignée en achetant cet appareil. Ce filtre est un appareil réalisé selon les toutes dernières connaissances techniques.**

**Ce filtre de protection à rétrolavage est destiné à une eau (de ville, pluie, puit) et à un emplacement (cave, garage,...) ne pouvant dépasser une température de 30 °C (86 °F) au maximum. Il extrait de l'eau, par une filtration via tamis, les particules grossières et fines dont la taille est plus grande ou égale aux ouvertures du tamis de filtrage.**

**Au moyen d'une unité spéciale de traitement de l'eau la tendance de l'eau potable à former des dépôts calcaires est réduite.**

**Les particules qui sont plus petites que les ouvertures du filtre utilisé ainsi que les turbidités et les substances dissoutes dans l'eau ne peuvent pas être extraites par ce type de filtrage.**

**Chaque filtre a été consciencieusement contrôlé avant sa livraison. Toutefois, en cas d'apparition de difficultés, veuillez vous adresser au service clientèle compétent (cf. au verso).**

Marque déposée :

Les marques mentionnées dans ce document sont des marques déposées protégées et enregistrées des détenteurs/propriétaires concernés.

© JUDO Wasseraufbereitung GmbH

D-71364 Winnenden

Tous droits réservés.

Toute réimpression - même partielle - interdite sans autorisation explicite.

## Table des matières

1. A propos de ces instructions de service.....	21
1.1 Symboles utilisés.....	22
1.2 Consignes de sécurité et risques encourus en cas de non-observation des indications .....	22
1.3 Unités utilisées .....	22
2. Utilisation conforme.....	23
2.1 Pression d'eau.....	24
2.2 Information concernant des dangers particuliers .....	24
3. Remarques concernant le produit.....	25
3.1 Domaine d'utilisation .....	25
3.2 Matériaux utilisés.....	25
4. Installation.....	26
4.1 Généralités .....	26
4.2 Evacuation de l'eau de rétrolavage.....	28
5. Service.....	30
5.1 Mise en service.....	30
5.2 Description du fonctionnement..	30
5.3 Rétrolavage .....	31
5.4 Le remplacement de la cartouche phosphate.....	31
5.5 Transformations / modifications / pièces de rechange .....	33
5.6 Interruption de service .....	33
5.7 Dé rangement.....	34
6. Maintenance.....	35
6.1 Nettoyage .....	35
7. Garantie et entretien.....	35
8. Fiche technique.....	36
8.1 Type.....	36
8.2 Types d'exécution.....	36
8.3 Caractéristiques techniques .....	36
8.4 Cotes de montage du JEFDOS ¾" -1¼".....	37
8.5 Inclus dans la livraison .....	37
9. Pièces de rechange.....	38

## 1. A propos de ces instructions de service



(cf. chapitre "Consignes de sécurité et risques encourus en cas de non-observation des indications")

Ce manuel d'instructions de service doit être disponible à tout moment sur le lieu d'utilisation du filtre.

L'objectif de ces instructions de service est de faciliter la familiarisation avec le filtre et de profiter des possibilités d'utilisation conforme.

Ce manuel d'instructions de service contient des informations importantes afin d'exploiter le filtre en toute sécurité, de manière conforme et rentable. Il contient des informations fondamentales qui doivent être observées lors de l'installation, du service ainsi que de la maintenance. L'observation de ces informations permet d'éviter les risques, de réduire les coûts de réparation et d'augmenter la fiabilité ainsi que la longévité du filtre.

Ce manuel d'instructions de service doit être lu, compris et utilisé par toute personne chargée d'exécuter par exemple les travaux suivants sur le filtre :

- **installation**
- **service**
- **maintenance**  
(entretien, inspection, remise en état)

L'installation et la maintenance doivent être exclusivement confiées à un personnel autorisé par le constructeur qui est en mesure de respecter les consignes et les prescriptions spécifiques de pays, stipulées dans les instructions de montage et de service.

Outre les instructions de service ainsi que les réglementations de prévention des accidents en vigueur dans le pays d'utilisation et

sur le site d'utilisation, il est également indispensable de strictement observer les règles de techniques spécialisées reconnues assurant un travail en toute sécurité et dans les règles de l'art.

C'est pourquoi il est absolument indispensable que ce manuel d'instructions de service ait été lu et compris avant l'installation, la mise en service et la maintenance par le monteur ainsi que par le personnel spécialisé/l'exploitant.

**Il n'est pas seulement indispensable d'observer les consignes de sécurité générales stipulées au chapitre "Utilisation conforme" mais également les consignes de sécurité spéciales mentionnées sous les autres points principaux.**

### 1.1 Symboles utilisés

Les consignes de sécurité stipulées dans ce manuel d'instructions de service sont repérées par les symboles suivants:



**ATTENTION**



Information indiquant des risques imminents



Avertissement indiquant la présence d'une tension électrique



Couples de serrage prescrits par le constructeur.



Astuces d'utilisation et autres informations

Les consignes directement apposées sur la station d'eau domestique, comme par exemple:

- sens d'écoulement (cf. illustration 1)
- plaque signalétique
- consigne de nettoyage

doivent toujours être maintenues dans un état entièrement lisible.

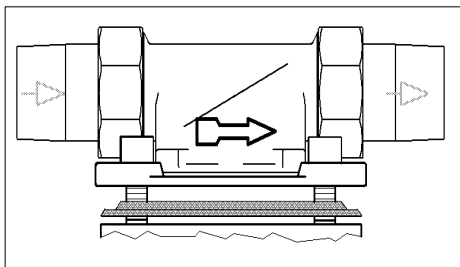


illustration 1: Bride rotative à encastrer

### 1.2 Consignes de sécurité et risques encourus en cas de non-observation des indications

Dans certaines circonstances, la non-observation des symboles de danger généraux est susceptible d'entraîner les risques suivants mentionnés ici à titre d'exemple:

- défaillance de fonctions importantes du filtre.
- risques encourus par des personnes dus à des influences électriques et mécaniques.
- risques encourus par des personnes et par l'environnement dus à une fuite.

Il convient d'éviter toute activité/tout travail risquant d'entraver la sécurité.

La non-observation de ce manuel d'instructions de service et de ses consignes de sécurité est susceptible de menacer aussi bien des personnes que l'environnement et le filtre.

### 1.3 Unités utilisées

Les unités divergeant du système d'unités international (SI = System International) sont:

Unité	Conversion
°F	°F = 9/5 °C + 32
bar	1 bar = 10 <sup>5</sup> Pa = 0,1 N/mm <sup>2</sup>
¾"	DN 20
1"	DN 25
1¼"	DN 32

## 2. Utilisation conforme

L'installation et l'utilisation du filtre sont toutes deux soumises aux consignes et prescriptions nationales en vigueur.

Outre les instructions de service ainsi que les réglementations de prévention des accidents en vigueur dans le pays d'utilisation et sur le site d'utilisation, il est également indispensable de strictement observer les règles de techniques spécialisées reconnues assurant un travail en toute sécurité et dans les règles de l'art.

### **L'eau à filtrer doit être conforme à la directive "Eau potable" européenne!**

Avant une utilisation en liaison avec une eau de qualité différente ou avec des additifs, il est absolument indispensable de contacter le constructeur/fournisseur pour avis !

Ce filtre de protection à rétrolavage est destiné à une eau et un emplacement ne pouvant dépasser une température de 30 °C (86 °F) au maximum.

Il a été fabriqué selon le niveau technique le plus récent ainsi que dans le respect des règles de techniques de sécurité reconnues en Allemagne.

L'utilisation de ce filtre est strictement limitée à ce qui est décrit dans le manuel d'instructions de service. Une autre utilisation ou dépassant ce cadre est considérée comme non-conforme.

Une utilisation non-conforme et le non-respect des symboles d'indication de danger et des consignes de sécurité sont susceptibles d'être la source de risques imminents supplémentaires. Le constructeur/fournisseur décline toute responsabilité en cas de dommages qui en résulteraient. Seul l'utilisateur est tenu responsable.

Fait également partie d'une utilisation conforme l'observation du manuel d'instruction de service.

Avant une utilisation éventuelle du filtre au-delà des limites stipulées dans le manuel d'instructions de service, il est absolument indispensable de contacter le constructeur/fournisseur pour avis.

Les filtres doivent être utilisés exclusivement dans un état technique impeccable ainsi que d'une manière conforme, en pleine conscience des règles de sécurité et des risques encourus et dans le strict respect du manuel d'instructions de service!

### **Les dérangements fonctionnels doivent être immédiatement éliminés!**

## 2.1 Pression d'eau

La pression d'eau doit se situer entre 1,5 bar et 6 bar.

La pression d'eau ne doit pas dépasser 1,5 bar par le bas étant donné que cela pourra entraver le rétrolavage ! Si le filtre n'est pas régulièrement rétrolavé, il y a risque de perte de pression et de mauvais fonctionnement du filtre.



(cf. chapitre "Consignes de sécurité et risques encourus en cas de non-observation des indications")

En présence de **pression d'eau supérieure à 6 bar**, il est nécessaire qu'un réducteur de pression soit installé en amont du filtre (cf. illustration 2). Si la pression de service est supérieure à 6 bar, cela risque d'occasionner des défaillances fonctionnelles.

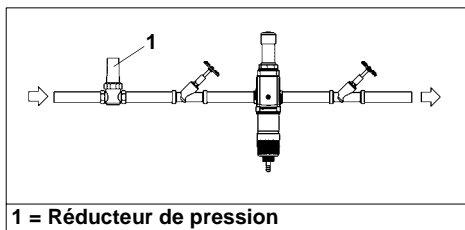


illustration 2: Réducteur de pression en amont du filtre



En présence d'une **pression d'eau de 5 bar jusqu'à 6 bar**, nous recommandons d'installer un réducteur de pression.

## 2.2 Information concernant des dangers particuliers

### 2.2.1 Appareils / dispositifs électriques



Aucune conduite et aucun appareil électrique ne doit se trouver sous le filtre ou à proximité de ce dernier!

Les appareils/dispositifs électriques non protégés contre les projections d'eau qui se trouvent à proximité du filtre risquent d'être endommagés par de l'eau qui s'échappe du filtre lors du rétrolavage ou en cas d'une utilisation non-conforme. Si les appareils / dispositifs sont raccordés à l'alimentation en courant, un court-circuit risque en plus de se produire. Dans pareil cas, les personnes risquent de s'électrocuter (risque de mort). C'est pourquoi les appareils/dispositifs électriques qui se trouvent à proximité doivent être protégés contre les projections d'eau ou correspondre aux prescriptions et consignes légales pour les locaux humides (protection IP 44).

### 3. Remarques concernant le produit

#### 3.1 Domaine d'utilisation

Le filtre est destiné à une eau ne pouvant dépasser 30 °C (86 °F).



(cf. chapitre "Consignes de sécurité et risques encourus en cas de non-observation des indications")

Pour les restrictions d'utilisation, cf. chapitre "Utilisation conforme".

Ces filtres extraient de l'eau les particules à granulation grossière et fine dont la taille est supérieure ou égale aux ouvertures des filtres.



Les particules plus petites que les ouvertures du filtre fourni et les turbidités ne peuvent pas être filtrées de l'eau.

#### 3.2 Matériaux utilisés

Les matériaux employés sont résistants aux sollicitations physiques, chimiques et corrosives dont il faut considérer l'effet dans l'eau potable et remplissent les exigences répondant aux régulations selon les normes DIN 13443-1 et DIN 19628 („Comportement des filtres mécaniques dans l'installation de l'eau potable"). Les matériaux métalliques remplissent les exigences selon la norme DIN 50930-6 („Influence sur la qualité de l'eau").

## 4. Installation

### 4.1 Généralités



(cf. chapitre “Consignes de sécurité et risques encourus en cas de non-observation des indications”)

L'installation est exclusivement réservée à un personnel spécialisé expérimenté.

Il est absolument indispensable d'observer le chapitre “Utilisation conforme”!

Les tuyauteries qui sont montées sur le filtre doivent pouvoir porter le poids du filtre en toute sécurité.

Sinon, il y a risque de détérioration mécanique de la tuyauterie pouvant même provoquer une rupture. Des sinistres plus conséquents provoqués par l'eau en résulteraient. Dans pareil cas, la santé des personnes qui séjournent à proximité du filtre est menacée par de grands volumes d'eau. C'est pourquoi les tuyauteries devront être fixées ou soutenues par des moyens supplémentaires si besoin est.

Pour une manipulation et une maintenance confortables, il est absolument nécessaire de respecter les intervalles indiqués. (cf. chapitre “Possibilités d'évacuation de l'eau de rétrolavage”) Au-dessus et en dessous du filtre, il faudrait laisser un espace libre d'au moins 200 mm. En effet, ces écarts sont nécessaires afin de pouvoir réaliser le rétrolavage (cf. chapitre “Intervalle de rétrolavage”) de manière conforme.

### 4.1.1 Exigences auxquelles le lieu de montage doit satisfaire

**Il faut que l'espace réservé à l'installation soit sec et exempt de risque de gel!**

**Il faut que les personnes non autorisées n'aient aucun accès au filtre!**



(cf. chapitre “Consignes de sécurité et risques encourus en cas de non-observation des indications”)

- La température ambiante ne doit pas excéder 30 °C (86 °F) ! En présence de températures plus élevées ou d'ensoleillement direct, les matériaux risquent d'être endommagés et une rupture de la cloche filtrante peut même avoir lieu.
- Afin de pouvoir assurer l'évacuation fiable des eaux chargées (rétrolavage) en cours d'exploitation et également lorsqu'il y a apparition d'une défectuosité de l'installation, il est absolument indispensable de respecter les indications stipulées au chapitre "Installation"!
- Si les eaux chargées (rétrolavage) ne peuvent pas être entièrement dérivées avec fiabilité, cela peut provoquer des dommages matériels au sein de la maison et de l'aménagement.
- Il faut qu'une vanne d'arrêt soit installée en amont du filtre ! Celle-ci permettra de couper l'alimentation en eau au cours de l'installation, de la maintenance, de la réparation et en cas de dysfonctionnements du filtre. De cette manière, il est possible d'éviter les inondations ainsi que des sinistres plus conséquents.
- L'appareil peut être monté dans toutes les conduites d'eau potable du commerce.
- L'installation du filtre en amont du compteur à eau est interdite!

### 4.1.2 Position de montage



**ATTENTION**

(cf. chapitre "Consignes de sécurité et risques encourus en cas de non-observation des indications")

Le filtre doit toujours être installé à la verticale ( $\pm 5^\circ$ )!

Si cela n'est pas respecté, il se peut alors que l'eau de rétrolavage sorte de manière incontrôlée et provoque des dommages.

### Schéma de montage

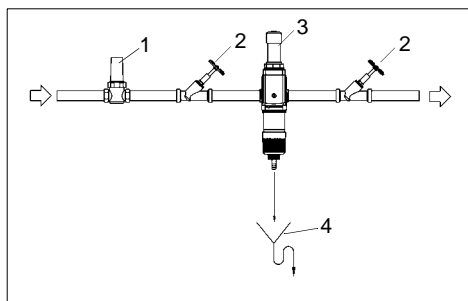


Abb. 3: Montage

- 1 - Réducteur de pression
- 2 - Vanne d'arrêt
- 3 - Filtre de protection à rétrolavage JEFDOS
- 4 - Raccord d'eaux d'égoût

### 4.1.3 Montage de la bride rotative à encastrer à encastrer

Le montage s'opère avec la bride rotative à encastrer fournie. La bride rotative à encastrer assure le raccordement à l'installation d'eau domestique.

**Il faut que la bride rotative à encastrer soit installée dans le sens de l'écoulement. Celui-ci est indiqué par la flèche à empreinte coulée (cf. illustration 3).**

En cas de non-observation, un rétrolavage n'est pas possible. Au bout d'un certain temps, cela provoquera une perte de pression croissante.



**ATTENTION**

(cf. chapitre "Consignes de sécurité et risques encourus en cas de non-observation des indications")

La surface de la bride rotative à encastrer doit être à l'horizontale! La bride rotative à encastrer doit être montée de sorte qu'aucune contrainte mécanique ne puisse apparaître! Sinon, il y a risque de détérioration mécanique de la tuyauterie ou de la bride rotative à encastrer. Des sinistres plus conséquents provoqués par l'eau en résulteraient.

Dans pareil cas, la santé des personnes qui séjournent à proximité du filtre est menacée par de grands volumes d'eau. C'est pourquoi, lors du montage, il faut veiller à ce que des forces importantes n'agissent pas sur la tuyauterie, sur la bride rotative à encastrer et sur le filtre.

### 4.1.4 Montage du filtre



Le couple de rotation (env. 4 Nm) doit être sélectionné de sorte que le joint soit étanche et que le filtre ne soit pas endommagé ou soumis à une contrainte mécanique!

Le raccordement s'effectue en utilisant la bride rotative à encastrer fournie. Il se compose d'une bride rotative à encastrer, d'un joint à bride profilé, des écrou-raccord, d'un embout et d'un joint plat.

Desserrez les écrou-raccord de la bride rotative à encastrer puis montez avec l'embout sur la tuyauterie.

Tenez compte des cotes de montage!

Positionnez le filtre de protection à rétro-lavage avec bride rotative à encastrer préassemblée entre les embouts, mettez en place les joints plats et vissez au moyen des écrou-raccord.

La flèche à empreinte coulée de la bride rotative à encastrer doit coïncider avec le sens d'écoulement de l'eau.



(cf. chapitre "Consignes de sécurité et risques encourus en cas de non-observation des indications")

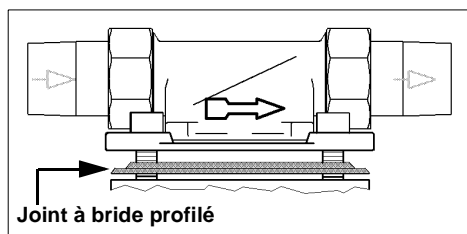


illustration 4: Bride rotative à encastrer

Le profil du joint à bride profilé doit être dirigé vers la bride rotative à encastrer. Si vous ne tenez pas compte de ce fait, cela risque d'être la cause d'un manque d'étanchéité causant des préjudices à l'habitation (cf. illustration 3).

## 4.2 Evacuation de l'eau de rétro-lavage



(cf. chapitre "Consignes de sécurité et risques encourus en cas de non-observation des indications")

L'eau de rétro-lavage exige un écoulement d'eau chargée suffisamment dimensionné (par exemple évacuation au sol) selon DIN 1986. En l'absence d'un raccordement aux égouts, vous pouvez utiliser un seau de taille appropriée (cf. illustration 4).

Le dimensionnement est fonction des conditions locales (par exemple pente de la conduite d'eau chargée, nombre de déviations, longueur de la conduite d'eau chargée, etc.). Le dimensionnement doit être de sorte que le volume d'eau à évacuer le sait en une fois. S'il n'est pas possible de prévoir un écoulement d'eau chargée directement sous le filtre, l'eau de lavage pourra être guidée dans un tuyau ou une conduite monté(e) sur la soupape d'eau de lavage jusqu'au prochain écoulement d'eau chargée éloigné de quelques mètres. Cette conduite doit avoir la même dimension que la soupape d'eau de lavage.

Pour toutes les possibilités, il faut veiller à assurer une évacuation libre selon la norme EN1717. Si, pour le rétro-lavage, un seau est utilisé, il faudra que vous observiez les points suivants:

- En présence d'une pression de réseau élevée, de l'eau risque d'être projetée au-dehors du seau. Dans pareil cas, des objets qui se trouvent à proximité du filtre risquent d'être endommagés par l'eau.
- Si le seau est rempli à moitié, il faut achever l'opération de rétro-lavage. Sinon, le seau risque de déborder. C'est pourquoi il faut que le seau soit suffisamment dimensionné et le rétro-lavage devrait être réalisé rapidement (cf. illustration 4).

### 4.2.1 Possibilités d'évacuation de l'eau de rétrolavage

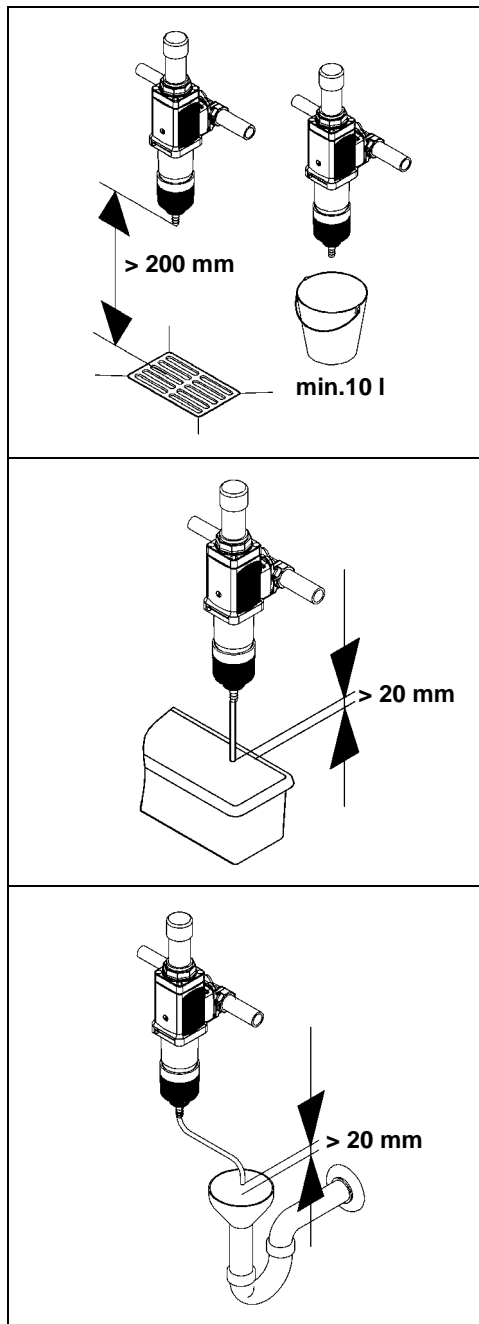


illustration 5: Possibilités d'évacuation

## 5. Service



**ATTENTION**

(cf. chapitre "Consignes de sécurité et risques encourus en cas de non-observation des indications")

Il est indispensable que vous observiez le chapitre "Utilisation conforme"!

### 5.1 Mise en service

Avant la mise en service (première mise en service ou la mise en service après des travaux de maintenance), il vous faut remplir le filtre de l'eau et désaérer! Dans ce but, après l'installation, le filtre est rempli de l'eau en ouvrant la vanne d'arrêt installée en amont. Le filtre se trouve maintenant sous la pression du réseau. L'air enfermé doit ensuite immédiatement être enlevé pour éviter un endommagement de l'installation par des coups de pression. La ventilation du filtre est effectué par un rétrolavage. (voir chapitre: „Décharge de l'eau de rinçage“). Après avoir effectué le rétrolavage et la ventilation le filtre est opérationnel.

### 5.2 Description du fonctionnement

De l'eau non-filtrée coule dans le filtre de protection à rétro-lavage en traversant la bride rotative de montage (3) Pendant que l'eau traverse le filtre fin de l'extérieur vers l'intérieur des particules polluantes restent accrochées au tissu filtrant du filtre fin (5). Les impuretés qui y adhèrent sont visibles de l'extérieur à travers la cloche-filtre (4).

Après avoir coulée à travers le filtre de protection à rétrolavage l'eau à traiter est déviée vers le haut et passe à travers un dispositif-doseur du phosphate. En faisant cela, de petites quantités de polyphosphate dissout dans l'eau et en qualité alimentaire sont ajoutées à l'eau potable, par cela le calcium et magnésium présents naturellement dans l'eau sont stabilisés, afin que

de dépôts de tartre nocifs, ne puissent plus se créer dans la suite, comme l'on peut les trouver par exemple dans les conduites et aux cartouches chauffantes. Le phosphate est une substance minérale, qui est, par exemple, ajoutée à différentes sortes de vivres.

Une stabilisation de la dureté avec des polyphosphates a pour conséquence une consommation de lessives et de détergents considérablement moins élevée.

Une machine à laver, par exemple, permet d'utiliser proportionnellement moins de lessive en raison de la dureté de l'eau moins élevée.

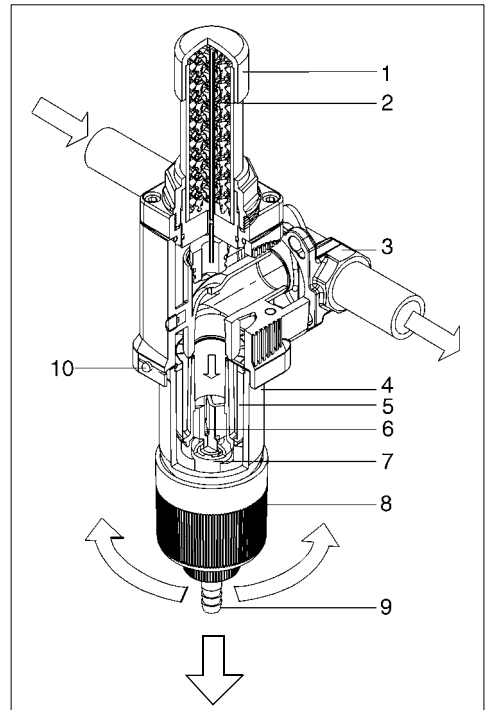


illustration 6:Description fonctionnelle

- 1 Cartouche phosphate
- 2 Cristaux de phosphate
- 3 Bride de montage rotative
- 4 Cloche-filtre
- 5 Insert de tamis
- 6 Tube d'aspiration
- 7 Vanne de rinçage

- 8 Volant manuel pour le rétrolavage
- 9 Pièce de raccord de tuyau rotative pour eau de rinçage
- 10 Bouton indicateur pour la prochaine date de rétrolavage

### 5.3 Rétrolavage

Pour enlever les impuretés filtrées de la texture du tamis du filtre fin, il faut que le filtre soit rétrolavé (= nettoyé) à cycles prescrits.



Le rétrolavage du filtre s'opère, pour toutes les tailles d'appareils, à l'eau épurée. La distribution de l'installation domestique n'est pas interrompue pendant l'opération de rétrolavage. Au cours du rétrolavage, de l'eau chargée ne peut pas pénétrer dans l'installation d'eau propre.

Le rétrolavage a lieu à pression maximale dans la conduite d'eau. Pour nettoyer le filtre, il faut que la molette de rétrolavage soit tournée vers la gauche jusqu'à la butée. De cette manière, il y a ouverture de la soupape de lavage. Au cours de la rotation, il y a sortie d'eau de lavage. Après quoi, il convient de refermer la soupape de lavage en tournant la molette vers la droite.

Cette opération de rétrolavage peut être répétée si besoin est.



Aussi bien le taux d'encrassement que l'opération de nettoyage peuvent être constatés/observés de l'extérieur.



**ATTENTION**



(cf. chapitre "Consignes de sécurité et risques encourus en cas de non-observation des indications")

Si l'opération de fermeture est interrompue, la soupape de lavage n'est pas entièrement fermée. Il en résultera une sortie perma-

nente d'eau. Outre une consommation d'eau élevée, cela peut produire des dommages occasionnés par l'eau, plus particulièrement lorsque l'eau de rétrolavage n'est pas évacuée comme décrit au chapitre "Evacuation de l'eau de rétrolavage".

### 5.4 Le remplacement de la cartouche phosphate

**La cartouche phosphate doit être annuellement retirée et remplacée - au plus tard.**

**La cartouche phosphate est remplacée comme suit:**

1. Fermer les vannes d'arrêt (1) en amont et en aval de l' appareil (cf. illustration 7).

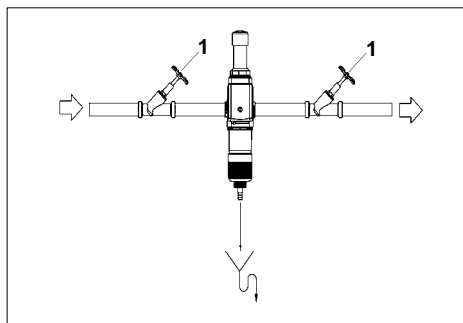


Fig. 7: Remplacement cartouche I

2. Tourner le volant manuel (2) pour le rétrolavage dans le sens antihoraire, laissant ainsi échapper la pression restante de l'appareil (cf. illustration 8).

3. Dévisser l'écrou-raccord (3) sur la cartouche phosphate dans le sens antihoraire.

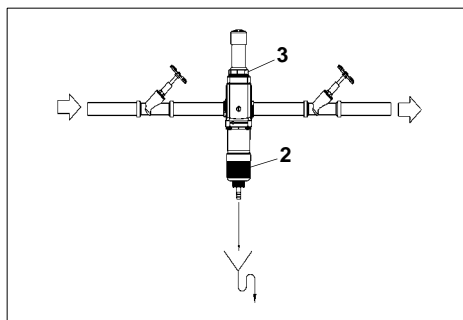


Fig. 8: Remplacement cartouche II

4. Retirez l'ancienne cartouche phosphate **(4)** de l'appareil, en la tirant vers le haut de l'appareil (cf. illustration 9).
5. Insérer la nouvelle cartouche phosphate **(5)** dans l'appareil.

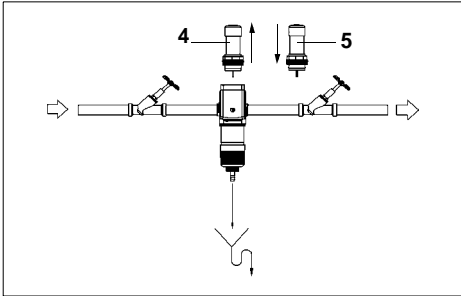


Fig. 9: Remplacement cartouche III

6. Visser l'écrou-raccord **(3)** dans le sens horaire et serrer solidement à la main (env. 1 Nm) (cf. illustration 10).
7. Refermer le volant manuel **(2)** en le tournant dans le sens horaire.
8. Ouvrir de nouveau les vannes d'arrêt **(1)**.

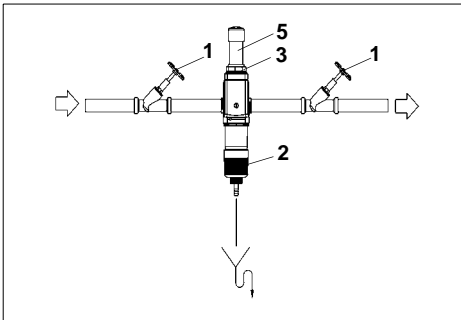


Fig. 10: Remplacement cartouche IV

9. Aérer l'appareil. Pour cela laisser échapper à une prise d'eau pendant env. une minute de l'eau avec un débit de 1000 - 2000 l/h (respectivement 15 - 30 l/min).

### 5.4.1 Intervalle de rétrolavage

Le filtre exige un rétrolavage:

- au plus tard tous les deux mois,
- lorsqu'il y a baisse de la pression d'eau,
- lorsque le filtre est visiblement encrassé.



Un bouton d'indication est installé sur la bride rotative à encastrer. Il peut être déplacé le long de l'échelle mensuelle. Cela permet ainsi de contrôler l'intervalle de rétrolavage (cf. illustration 5).



**ATTENTION**



(cf. chapitre "Consignes de sécurité et risques encourus en cas de non-observation des indications")

Si l'intervalle jusqu'au prochain rétrolavage est de plus de deux mois, il se peut que le filtre soit envahi par des germes. La qualité de l'eau peut alors être nettement menacée.

Des personnes non-autorisées n'ont pas le droit de manipuler le filtre ! Les personnes qui sont chargées de travaux sur le filtre sont tenues d'observer le manuel d'instructions de service. Sa non-observation est susceptible de menacer aussi bien les personnes que les bien matériels.



**ATTENTION**



(cf. chapitre "Consignes de sécurité et risques encourus en cas de non-observation des indications")

Plus les ouvertures de l'insert de filtrage sont petites et plus le rétrolavage doit être fréquent !

En cas de nouvelles installations, on sait d'expérience qu'au début, le dépôt d'impuretés est plus important. Dans ce cas, il faut rétrolaver plus fréquemment que dans des conditions normales.

Si le rétrolavage n'a pas lieu à temps, le filtre-tamis risque d'être endommagé. Des quantités plus importantes de particules filtrées risquent de déformer la texture du tamis-filtre et, dans des cas extrêmes, de le déchirer. Après quoi, un fonctionnement du filtre ne serait plus assuré. En outre, des quantités de particules polluantes plus importantes risquent de menacer mécaniquement la fonction de rétrolavage.

## 5.5 Transformations / modifications / pièces de rechange



(cf. chapitre "Consignes de sécurité et risques encourus en cas de non-observation des indications")

Seules des pièces de rechange d'origine ont le droit d'être utilisées !

Pour des raisons de sécurité, il est interdit de procéder à des transformations et modifications sans l'avis préalable du constructeur!

En effet, cela risque de menacer le bon fonctionnement du filtre, de provoquer des fuites et, dans des cas extrêmes, de faire éclater le filtre.

### 5.5.1 Maintenance / réparation

- Avant de procéder à des travaux sur le filtre qui dépasseraient le cadre des pures opérations conditionnées par l'exploitation, il est nécessaire de le mettre hors pression ! La non-observation de cette consigne peut donner lieu à une sortie incontrôlée d'eau risquant d'endommager sérieusement la maison. Il est absolument indispensable que vous respectiez à la lettre les consignes stipulées aux chapitres "Installation" et "Maintenance".

## 5.6 Interruption de service



(cf. chapitre "Consignes de sécurité et risques encourus en cas de non-observation des indications")

S'il est nécessaire de brider ou de débrider un filtre, il est indispensable que vous observiez le chapitre "Utilisation conforme"!

- Protégez les surfaces de bride contre les dommages! En effet, les surfaces de bride endommagées ne pourront plus fermer de manière étanche. A la suite de quoi, une fuite d'eau risquerait d'endommager la maison et l'aménagement.
- Assurez-vous que des salissures ne vont pas pouvoir pénétrer dans le filtre! En effet, ces salissures risquent de se trouver au contact de l'eau potable au moment de la remise en service du filtre et d'y être véhiculées. La santé de personnes qui boiraient de l'eau souillée est menacée.
- Le filtre doit être stocké à un endroit à l'abri du gel! Le gel risque de faire geler l'eau piégée dans les cavités du filtre, ce qui le détériorerait de sorte qu'à pression de service, il risquerait de fuir ou d'éclater. Une fuite d'eau risque de provoquer d'importants sinistres dans la maison. En outre, les personnes qui séjournent à proximité du filtre risquent d'être blessées par des pièces propulsées par éclatement.
- Pour la remise en service du filtre, veuillez procéder comme s'il s'agissait d'un filtre neuf.

## 5.7 Dérangement

**L'ouverture des appareils ainsi que le remplacement de pièces soumises à la pression de l'eau doivent être exclusivement confiés à des personnes autorisées afin d'assurer la sécurité et l'étanchéité de l'appareil.**

**Remède en cas de dérangements:**

Dérangement	Cause	Remède
L'eau de rétrolavage continue à couler!	La soupape de lavage n'est pas complètement fermée.	Répétez le rétrolavage puis fermez la soupape de lavage en tournant la molette de rétrolavage vers la droite, jusqu'à la butée.
	Pollutions dans la soupape de lavage	
Le débit d'eau diminue!	Le filtre-tamis est bouché.	Opérez un rétrolavage.
Le filtre n'est pas étanche!		Informez immédiatement un installateur ou le service-clients le plus proche.
La cloche filtrante se trouble!	Le filtre a été soumis à des températures plus élevées ou à des solvants.	
Fissures microscopiques sur la cloche filtrante!		
Il n'y a plus de phosphate disponible!	La cartouche phosphate est vide.	Insérer la nouvelle cartouche phosphate.
La cartouche phosphate fuit après l'installation.	Le joint torique est éventuellement coincé.	Vérifier que le joint torique est bien fixé à la cartouche phosphate.
La purge de la cartouche phosphate ne s'effectue pas	Débit trop faible.	Augmenter le débit à 1000-2000 l/h ou remplir manuellement la cartouche avec de l'eau.

## 6. Maintenance



(cf. chapitre “Consignes de sécurité et risques encourus en cas de non-observation des indications”)

Il est indispensable que vous observiez le chapitre “Utilisation conforme”!

### 6.1 Nettoyage



(cf. chapitre “Consignes de sécurité et risques encourus en cas de non-observation des indications”)

Pour le nettoyage du corps et de la cloche filtrante transparente, utilisez exclusivement de l'eau claire potable.

En effet, les nettoyeurs universels domestiques et les produits de nettoyage du verre usuels contiennent parfois jusqu'à 25 % de solvant ou d'alcool.

Ces substances risquent d'attaquer chimiquement les pièces en plastique, ce qui donnerait lieu à des fragilisations ou même à la rupture.

**C'est pourquoi de tels nettoyeurs ne doivent pas être utilisés.**

## 7. Garantie et entretien

Pour bénéficier de vos droits légaux, il est impératif, conformément à la norme DIN 1988-8 d'effectuer „... le rétrolavage selon des présentes conditions d'opération, au plus tard cependant tous les deux mois“.

Pour obtenir un succès-pratique, aussi après la mise en marche, pendant beaucoup d'années un entretien régulier du dispositif est indispensable. Dans le secteur de la technique domestique ceci est réglé dans la norme 1998 – partie 8. Un contrat de maintenance garantit le mieux un bon fonctionnement, même au-delà des limites de la période de garantie.

Pour l'exécution des travaux d'entretien réguliers ainsi que pour l'approvisionnement en pièces d'usure etc., il faut charger des artisans qualifiés ou le SAV d'usine

## 8. Fiche technique

### La Pression nominale

### 8.1 Type

Filtre de protection à rétrolavage dont la fonction dosage du phosphate

Abbréviation : JEFDOS

### 8.2 Types d'exécution

Modèle	
JEFDOS ¾"	8215013
JEFDOS 1"	8215014
JEFDOS 1¼"	8215015

Modèle	Pression de service	Pression nominale
JEFDOS ¾" – 1¼"	1,5 – 6 bar	PN 10

La pression nominale signifie l'étape-pression selon laquelle le filtre doit remplir les exigences concernant DIN 19628 et DIN EN 13443-1. La pression de service maximum est plus basse, pour garantir le fonctionnement optimal du filtre.

### 8.3 Caractéristiques techniques

Voici ce qui est valable pour toutes les tailles d'appareils:

- les filtres sont fournis en série avec un tamis-filtre en acier inox d'une ouverture de 0,1 mm.
- perte de pression à l'état propre après rétrolavage) : 0,2 bar pour le débit d'eau indiqué dans le tableau (débit nominal).
- température maximale ambiante et de l'eau : 30 °C (86 °F)
- **l'eau à filtrer doit être conforme à la directive "Eau potable" européenne!**
- raccord fileté selon DIN 2999.

Modèle	Poids	Débit d'eau jusqu'à	Perte de pression après le rétrolavage	Débit volumétrique en eau de rinçage
JEFDOS ¾"	2,4 kg	1,2 / 2,0 m <sup>3</sup> /h	0,2 / 0,5 bar	0,3 l/s
JEFDOS 1"	2,5 kg	1,6 / 2,7 m <sup>3</sup> /h	0,2 / 0,5 bar	0,3 l/s
JEFDOS 1¼"	2,9 kg	2,0 / 3,0 m <sup>3</sup> /h	0,2 / 0,5 bar	0,3 l/s

Le débit de rétrolavage indiqué est valable pour 2 à 3 bar et pour une soupape d'eau de lavage entièrement ouverte.

## 8.4 Cotes de montage du JEFDOS 3/4" - 1 1/4"

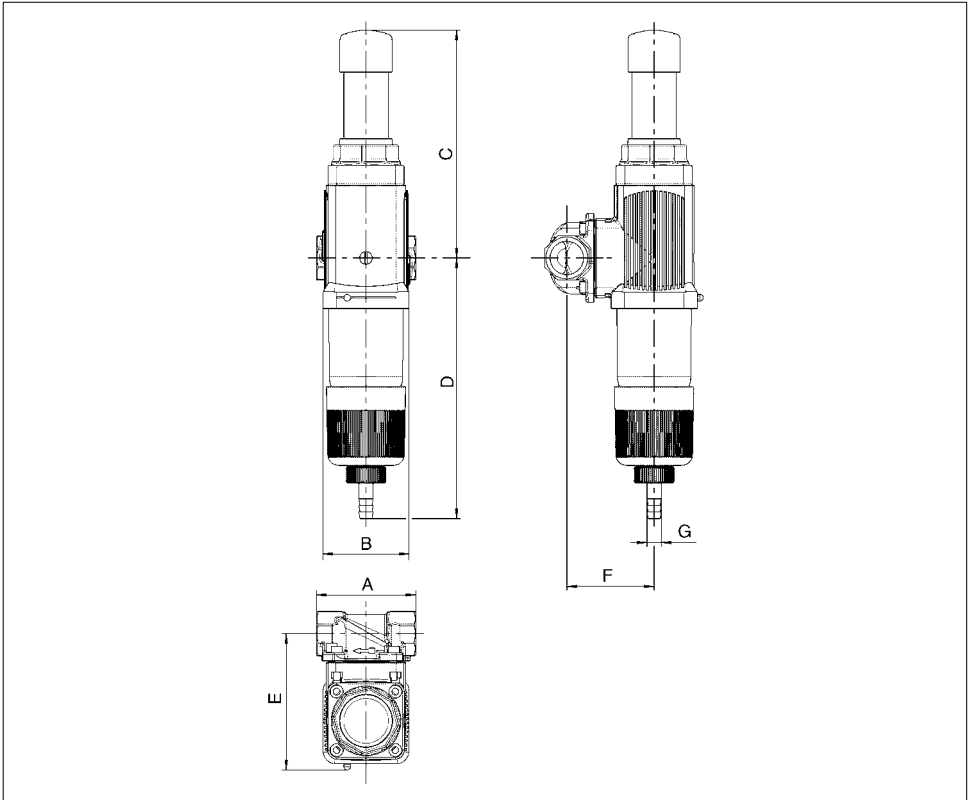


illustration 11: Cotes de montage du JEFDOS 3/4" - 1 1/4"

Modell	A	B	C	D	E	F	G
JEFDOS 3/4"	90	78	206	236	124	79	13
JEFDOS 1"	90	78	206	236	124	79	13
JEFDOS 1 1/4"	110	78	206	236	124	79	13

Toutes cotes en [mm] (cf. illustration 11)

A = Longueur montage

B = Largeur du dispositif

C = Hauteur en-dessus du milieu du tube

D = Hauteur au-dessous du milieu du tube

E = Profondeur de montage jusqu'au milieu du tube

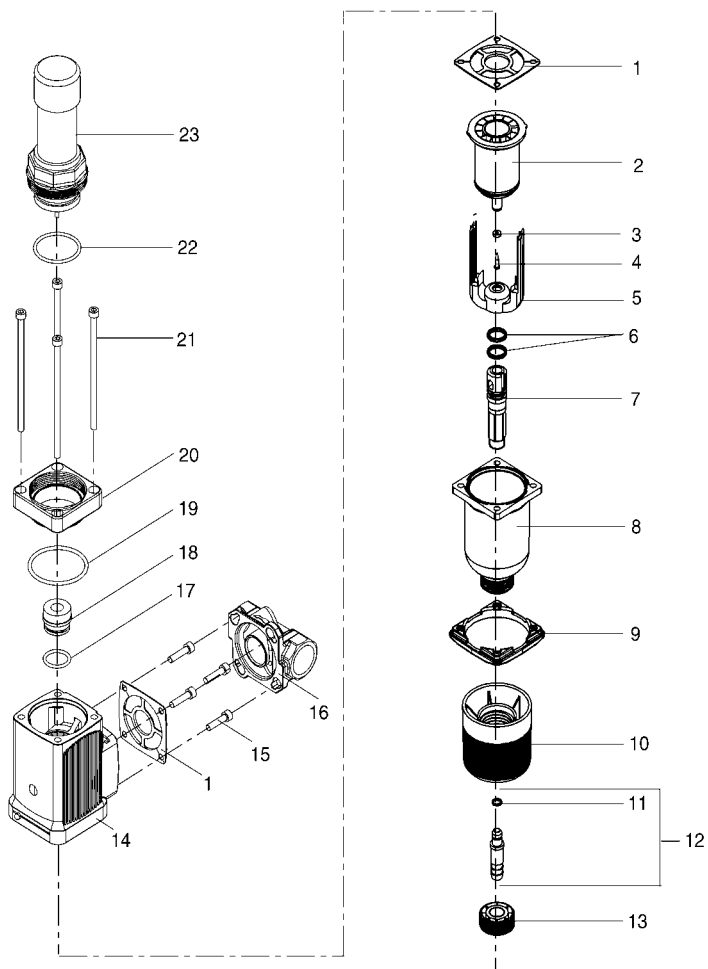
F = Dimensions de branchement/ eaux résiduaires

G = Diamètre nominale

## 8.5 Inclus dans la livraison

- Filtre complètement préassemblé
- Instructions de montage et de service
- Bride de montage rotative 3/4", 1" ou 1 1/4".

## 9. Pièces de rechange



## Liste des pièces de rechange

Pos.	Désignation (intervalle moyen de remplacement recommandé pour pièce d'usure [**])	Pièces	Référence	UF <sup>1</sup> /pcs	
1	Joint à bride profilé	**	2	1200218	5
2	Tamis	****	1	2150015	68
3	Joint de tuyau d'aspiration	****	1	1607410	3
4	Vis		1	1650173	1

## Liste des pièces de rechange

Pos.	Désignation (intervalle moyen de remplacement recommandé pour pièce d'usure [**])	Pièces	Référence	UF <sup>1)</sup> /pcs
5	Tuyau d'aspiration	1	1120217	12
6	Joint torique 16 x 2,5	2	1200130	3
7	Soupape de rinçage	1	1120212	8
8	Cloche filtrante	1	1120309	140
9	Bride	1	1420013	20
10	Volant manuel	1	1120215	20
11	Joint torique 6,07 x 1,3	1	1200137	2
12	Raccord de flexible préassemblé	1	1120213	5
13	Ecrou-raccord	1	1120214	4
14	Boîtier de base	1	2210409	102
15	Vis cylindrique M6 x 25	4	2010199	2
16	JQE ¾"	1	1420014	-
16	JQE 1"	1	1420015	-
16	JQE 1¼"	1	1420016	-
17	Joint torique 24 x 3	1	1200308	5
18	Buse d' injection	1	1160054	19
19	Joint torique 53 x 3	1	1200185	2
20	Siège de cartouche	1	2210440	48
21	Vis cylindrique M6 x 130	4	1650134	6
22	Joint torique 43 x 3	1	1200187	2
23	Cartouche phosphate EASY	1	8215019	a)

1) UF = Unité de facturation

a) cf. liste des prix courants

Intervalle de remplacement

\*\* = 2 ans

\*\*\*\* = 4 ans

À la conclusion d'un contrat d'entretien et de maintenance avec notre service clients d'usine ou avec un artisan qualifié et autorisé par JUDO, en l'espace de six mois après la date d'installation, le délai de garantie sera prolongé à quatre ans, à partir de la date d'installation. Des pièces d'usure y sont exclues.

