

Installation and Operating Instructions JUDO SPEEDY- LongLife $\frac{3}{4}$ " - 2"

Backwash Protective Filter

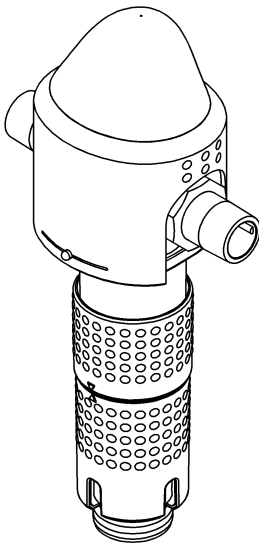
Model JSY-LF

Valid for: UK only

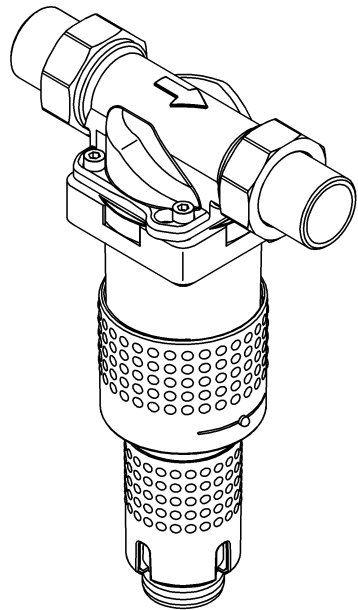
Attention:

Carefully read through the installation and operating instructions and safety information before installing and putting the unit into service.

These instructions must always be issued to the owner/user.



JSY-LF $\frac{3}{4}$ " - $\frac{1}{4}$ "



JSY-LF $1\frac{1}{2}$ " - 2"



Inquiries, orders, customer support

JUDO UK Limited

The old court House,

Ascot, SL5 7EN

Phone: (44) 700 605 9441

Internet: <http://www.judo.uk.com>

Dear customer,
we would like to thank you for your confidence in us, which you have shown by purchasing this device. The product you have purchased is a filter developed using state of the art technology.

This filter is suitable for use in cold drinking water up to a maximum ambient temperature of 30 °C (86 °F).

It removes coarse and fine-grained particles larger or equal in size to the filter screen (strainer) mesh from the filter through screen filtration.

Particles smaller than the screen mesh size used, turbidities (i.e. substances that make the water turbid) and substances dissolved in the water cannot be filtered out of the water.

Each unit is thoroughly checked before delivery. Nevertheless, should difficulties occur, please contact the responsible customer service (see back page).

Trademarks:

Trademarks used in this document are protected and registered trademarks of the respective holder.

© JUDO Wasseraufbereitung GmbH
D-71364 Winnenden

All rights reserved.

Reprints – even of extracts – is only permitted with special approval.

Table of contents

1. About this Instruction Manual..... 3

1.1 Symbols used..... 4

1.2 Safety information and dangers due to non-compliance 4

1.3 Units used..... 4

2. Intended use 5

2.1 Water pressure 6

2.2 Notes on special dangers 6

3. Product Information 7

3.1 Intended purpose..... 7

3.2 Materials used 7

4. Installation 7

4.1 General..... 7

4.2 Examples for installing the water treatment devices 9

4.3 Discharging the backwashing water 10

5. Operation 12

5.1 Commissioning 12

5.2 Functional description..... 12

5.3 Backwashing 14

5.4 Modifications / changes / spare parts..... 15

5.5 Stoppages 16

6. Faults 16

7. Maintenance..... 17

7.1 Cleaning 17

8. Warranty and Services..... 17

9. Data sheet 18

9.1 Type..... 18

9.2 Models 18

9.3 Technical specifications..... 18

9.4 Installation dimensions JSY-LF ¾" - 1¼"..... 19

9.5 Installation dimensions JSY-LF 1½" - 2" 19

9.6 Extent of supply 19

9.7 Accessories JSY-LF ¾" – 2" 19

10. Spare parts..... 20

10.1 JSY-LF ¾" – 1¼"..... 20

10.2 JSY-LF 1½" – 2" 22

11. Customer service 24

1. About this Instruction Manual



(see chapter “Safety information and dangers due to non-compliance”)

The instruction manual must permanently be available at the place where the filter is used.

This instruction manual is intended to make it easier to familiarize yourself with the filter and its possible intended uses.

The instruction manual contains important information in order to safely, properly and economically run the filter.

It contains fundamental information, which must be observed during installation, operation and maintenance. Observance of this information helps to avoid dangers, reduce repair costs and increase the reliability and service life of the filter.

The instruction manual must be read and used by each person entrusted with carrying out work on the filter, for example:

- **installation**
- **operation**
- **maintenance**
(servicing, inspection, repair)

Installation and maintenance may only be carried out by personnel authorized by the manufacturer, who are capable of fulfilling the instructions given in the installation and operating instructions and the country-specific regulations.

Apart from the instruction manual and the legally binding accident prevention provisions applicable in the country and place of use, the recognized technical regulations for safe and proper work must also be observed.

Therefore, this instruction manual must always be read by the fitter and responsible skilled personnel/owner or operator before


installation, putting into service and maintenance.


Not only the general safety notes given in the chapter “Intended Use” are to be observed, but also the special safety notes in the other main chapters.


1.1 Symbols used

The safety notes contained in this instruction manual are labelled with the following symbols:

 **ATTENTION**  Notes on existing dangers

 Warning, electrical voltage

 Torques specified by the manufacturer

 Tips for use and other information

Notes directly attached to the backwash protective filter, e.g.

- direction of flow (see fig. 1)
- rating plate
- cleaning information

must always be observed and kept in a fully legible condition.

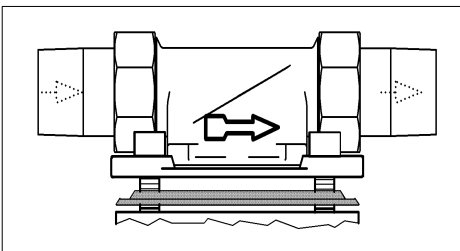


Fig. 1: Built-in rotary flange

1.2 Safety information and dangers due to non-compliance

In detail, failure to observe the general danger symbols can result, for example, in the following risks:

- Failure of important functions of the backwash protective filter.
- Danger to persons due to electrical and mechanical effects.
- Danger to persons and the environment due to leaks.

Refrain from any unsafe working methods.

Failure to comply with this instruction manual and the safety information can not only result in dangers for people but can also harm the environment and the unit.

1.3 Units used

In derogation of the International System of Units (SI = System International), the following units are used:

Units	Conversion		
°F	°F = 9/5 °C + 32		
psi	1 bar = 15 psi		
gpm	1 m³/h = 4.4 gpm		
¾"	= DN 20	2"	= DN 50
1"	= DN 25	2½"	= DN 65
1¼"	= DN 32	3"	= DN 80
1½"	= DN 40	4"	= DN 100

2. Intended use

The installation and operation of the filter is subject to the following existing national regulations.

In addition to the operating instructions and the obliging regulations concerning accident prevention that exist in the country of operation and the location of use, the established technical regulations concerning safe and professional work, should also be observed.

The water to be filtered must possess quality of drinking water!

It is absolutely essential that the manufacturer / supplier will be consulted prior to any operation of the device using water of a different quality, respectively with water that contains additives.

This filter is suitable for use in cold drinking water up to a maximum ambient temperature of 30 °C (86 °F).

The filter has been developed and manufactured using state of the art technology and the established safety regulations in Germany.

The filter may only be operated in accordance with the manufacturer's specifications. Any other operation or operation beyond the specified use, is not in accordance with the manufacturer's specifications.

Additional dangers may result in the event of the device not being operated in accordance with the manufacturer's specifications and non-observance of the danger symbols or safety instructions. The manufacturer / supplier cannot be made liable for any damages caused by these additional dangers. The operator is responsible for these risks.

The use of the device in accordance with the customer's specifications includes the observance of the operating instructions.

The manufacturer/supplier should be consulted prior to any operation of the filter other than in the operational areas stated in these operating instructions.

The filter may only be operated in a technically faultless condition, in accordance with the manufacturer's specifications and the stated safety and danger relevant instructions and under observance of the operating instructions!

Any functional defects are to be removed immediately!

2.1 Water pressure

The water pressure should be between 22 psi (1.5 bar) and 145 psi (10 bar).

The water pressure must not exceed 21 psi (1.5 bar) as otherwise the backwashing can be impaired! If the filter is not backwashed regularly a pressure loss can result and this can impair the filter function.



ATTENTION

(see chapter "Safety information and dangers due to non-compliance")

In the event of **water pressure above 150 psi (1000 kPa)**, the pressure reduction valve should be fitted **in front** of the backwash protective filter (see fig. 2). If the operating pressure is above 150 psi (1000 kPa), this may result in defects during operation.

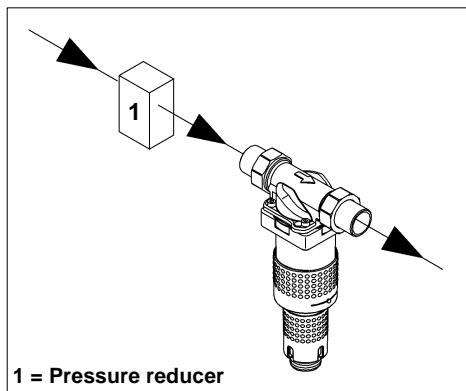


Fig. 2: Pressure reducer upstream of the unit



The installation of a pressure reduction valve is recommended for **water pressures between 73 psi (500 kPa) and 150 psi (1000 kPa)**.

2.2 Notes on special dangers

2.2.1 Electrical equipment / installations



There must not be any electrical cables and devices underneath or in the immediate vicinity of the backwash protective filter!

Electrical devices / equipment that are not splash-water proof and are situated in the direct vicinity of the backwash protective filter may be damaged by water leaking from the backwash protective filter caused as a result of the device not being operated in accordance with the manufacturer's specifications. In addition this may also result short circuits if these electrical devices / equipment being connected to the electrical power supply. In the event of such cases persons are at risk and may sustain electrical shocks. Therefore any electrical devices / equipment situated in the direct vicinity should be splash-water proof, respectively comply with the statutory requirements for wet areas (IP44).

3. Product Information

3.1 Intended purpose

This filter is suitable for use in cold drinking water up to a maximum ambient temperature of 30 °C (86 °F).



(see chapter “Safety information and dangers due to non-compliance”)

Please refer to the chapter on “Intended use” for use restrictions.

This filter removes coarse and fine-grained particles from the water which are larger than or equal in size to the mesh size of the filter.



Particles smaller than the supplied mesh size and impurities causing turbidity cannot be filtered out of the water.

3.2 Materials used

The materials used are resistant to the physical, chemical, and corrosive loads to be expected in the drinking water and fulfill the requirements specified in the standards DIN EN 13443-1 and DIN 19628 (“Mechanical filters in drinking water installations”). All materials are hygienically and physiologically safe. Plastics fulfill the official guidelines of the German Federal Environmental Agency and the DVGW work sheet W270. Metallic materials fulfill the requirements of the DIN 50930-6 standard (Impact on the drinking water quality).

4. Installation

4.1 General



(see chapter “Safety information and dangers due to non-compliance”)

The unit may only be installed by skilled personnel.

The chapter “Intended use” must always be observed!

The pipes must be able to safely support the filter.

Otherwise mechanical damage or fractures/bursts can occur in the pipes. This can result in major water damage. People close to the filter are exposed to a health risk due to the large quantities of water released. Therefore, if necessary, the pipes must be additionally fixed or supported.

A space of at least 200 mm (8 inch) should be maintained above and below the filter. These distances are necessary to be able to properly carry out the backwashing (see chapter “Backwashing”).

4.1.1 Requirements for the place of installation

The room where the unit is installed must be dry and frost free!

Unauthorised persons must not have access to the filter!



(see chapter “Safety information and dangers due to non-compliance”)

- The ambient temperature must not exceed 30 °C (86 °F)! At higher temperatures or direct sun radiation the material can be damaged and the filter hood can even break.
- In order to be able to safely discharge the wastewater in operation and in case of any defects that occur in the system, precise compliance with the details given in the “Installation” chapter is necessary! If the wastewater (backwashing) cannot be safely and completely discharged, the house and installations can be damaged by water.
- A shut-off valve must be installed upstream of the filter! This enables the water supply to the filter to be interrupted during installation, servicing/maintenance, repairs and in case of malfunctions. Floods and serious water damage to house installations can therefore be avoided.
- The unit can be installed in all standard drinking water pipes.
- It is not permitted to install the backwash protective filter **upstream of** the water meter!

4.1.2 Installed position



(see chapter “Safety information and dangers due to non-compliance”)

Always install the filter in a vertical position ($\pm 5^\circ$)!

Failure to observe this can cause uncontrolled backwashing water to escape and can result in water damage.

4.1.3 Mounting the built-in rotary flanges

Install using the supplied built-in rotary flange. The built-in rotary flange is used as a connecting element between the pipe and the filter.

The built-in rotary flange must be installed in the direction of flow. This is marked by a cast in arrow.

Failure to comply with this means that backwashing is impossible. By and by this leads to an increasing pressure loss.



(see chapter “Safety information and dangers due to non-compliance”)

The flange surface of the built-in rotary flange must be in a horizontal position! The built-in rotary flange must be fitted so that mechanical stresses cannot occur! Otherwise mechanical damage can result in the built-in rotary flange. Otherwise mechanical damage can result, the pipe may burst or the built-in rotary flange can break. This can result in major water damage.

In this case, people close to the filter are exposed to a health risk due to the large quantities of water.

Therefore, during installation, ensure that no large forces act on the pipe, built-in rotary flange and filter.

4.1.4 Installing the backwash protective filter



Select the torque (approx. 4 Nm) so that the gasket closes and the filter is not damaged or strained!

The filter is connected using the supplied built-in rotary flange. It consists of the built-in rotary flange and a profiled flange seal.

Undo the union nuts of the built-in rotary flange and fit to the pipe with the sleeve.

Note the installed dimensions!

Position the filter with pre-fitted built-in rotary flange between the sleeves, insert the flat seals and screw using the union nut.

The cast in arrow of the built-in rotary flange must match the direction of flow of the water.



(see chapter “Safety information and dangers due to non-compliance”)

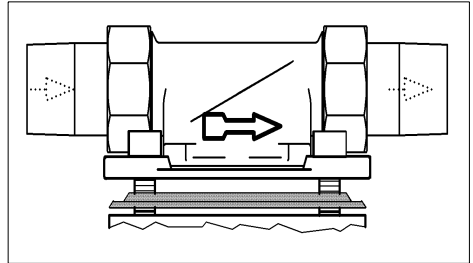


Fig. 3: Built-in rotary flange

The section of the profiled flange gasket must point towards the built-in rotary flange (see fig. 4). Failure to observe this can lead to leaks and water escaping. This can in turn cause water damage to the house and its installations.

4.2 Examples for installing the water treatment devices

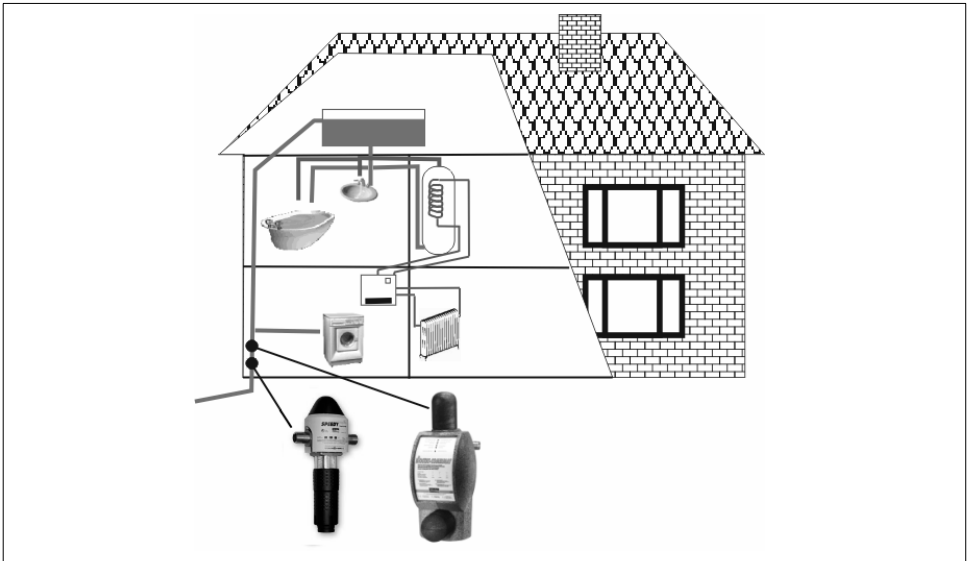


Fig. 4: A typical combi system with open vented hot water storage tank

4.3 Discharging the backwashing water



(see chapter "Safety information and dangers due to non-compliance")

For the backwashing water a wastewater connection (for example a floor drainage) in accordance with DIN 1986 must be in place. If there is no wastewater connection an appropriately sized bucket can be used.

The dimensioning depends on conditions on site (e.g. wastewater pipe gradient, number of pipe bends, length of the wastewater pipe, etc.). If it is not possible to provide a wastewater connection directly beneath the filter, the flushing water can be fed several meters to the next wastewater connection, either through a hose or a pipe to be fitted to the flushing water valve. This pipe must have the same dimension as the flushing water valve.

In all options, a free discharge must be ensured in accordance with EN 1717.

The following points must be noted if a bucket is used for backwashing:

- If the mains pressure is high, water can splash out of the bucket. In this case, damage to property close to the backwash protective filter is possible.
- When the bucket is half-filled, the backwashing process must be stopped. Otherwise it is possible for the bucket to overflow. Therefore the bucket must be adequately dimensioned and the backwashing should be carried out quickly.

4.3.1 Backwashing water discharge options

JSY-LF ¾" – 1¼"

JSY-LF 1½" – 2"

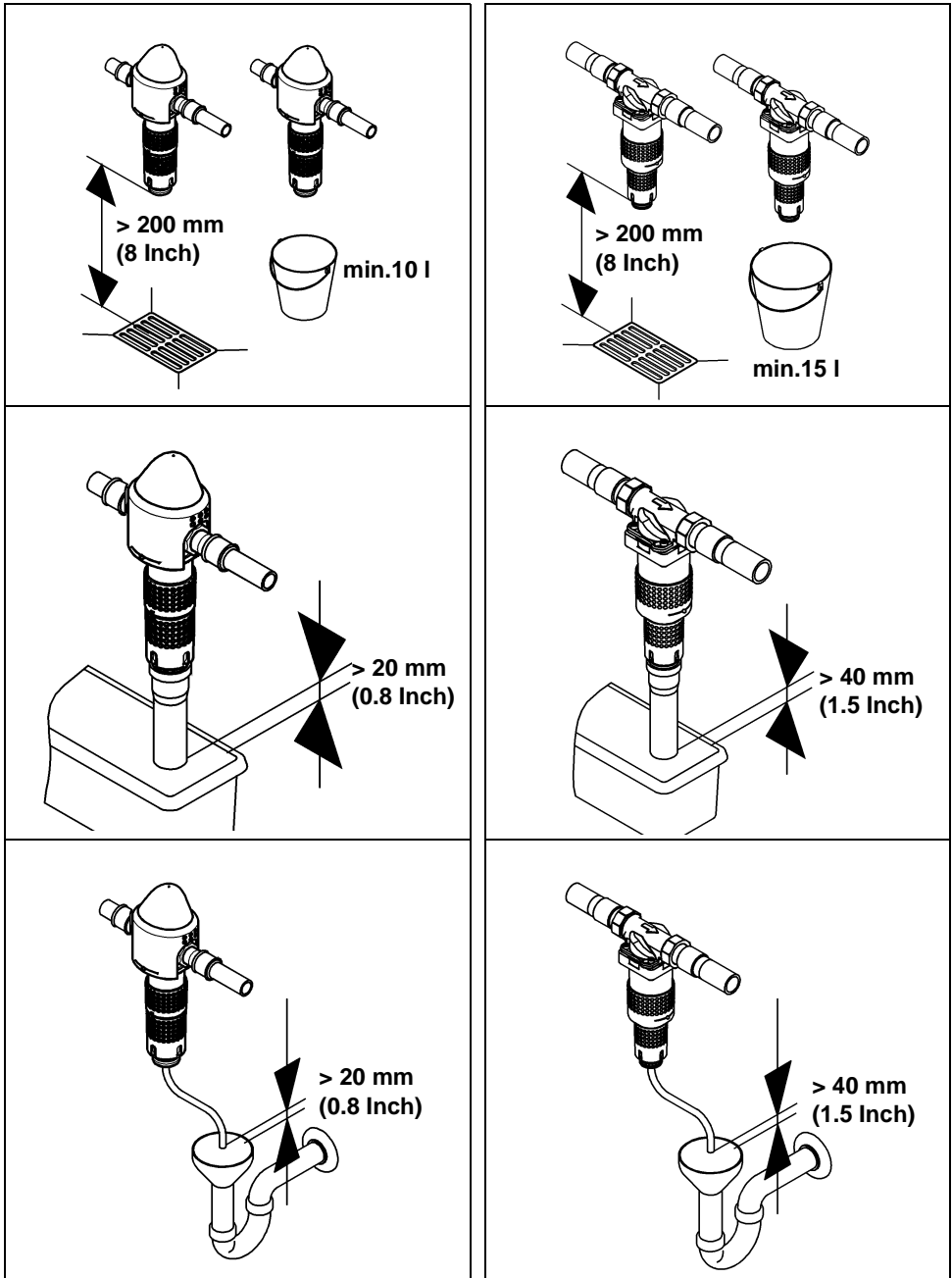


Abb. 5: Backwashing water discharge options

5. Operation



(see chapter "Safety information and dangers due to non-compliance")

Always observe the chapter "Intended use"!

5.1 Commissioning

Before starting up (initial putting into service or startup after maintenance work), **fill** the backwash protective filter with water and **vent!**

- To this end, after installation the filter is filled with water by opening the upstream shut-off valve.
- The filter is now at the same pressure as the water system.
- The enclosed air must then be immediately removed from the filter in order to avoid damage to the installation caused by pressure surges. The filter is vented by means of backwashing (see chapter "Discharging the backwashing water").
- After backwashing and venting the filter is ready for use.

5.2 Functional description

Water flows through the built-in rotary flange (1) into the backwash protective filter. A coarse backwash protective filter (JSY-LF 1½" – 2") prevents large dirt particles from getting into the fine backwash protective filter. These large dirt particles cannot be removed by the backwashing equipment. The water flows through the fine filter from the outside inwards. The filtered dirt is retained by the fine filter screen. The adhering dirt is visible through the transparent filter cover (3). The filtered water then leaves the backwash protective filter via the built-in rotary flange (1).

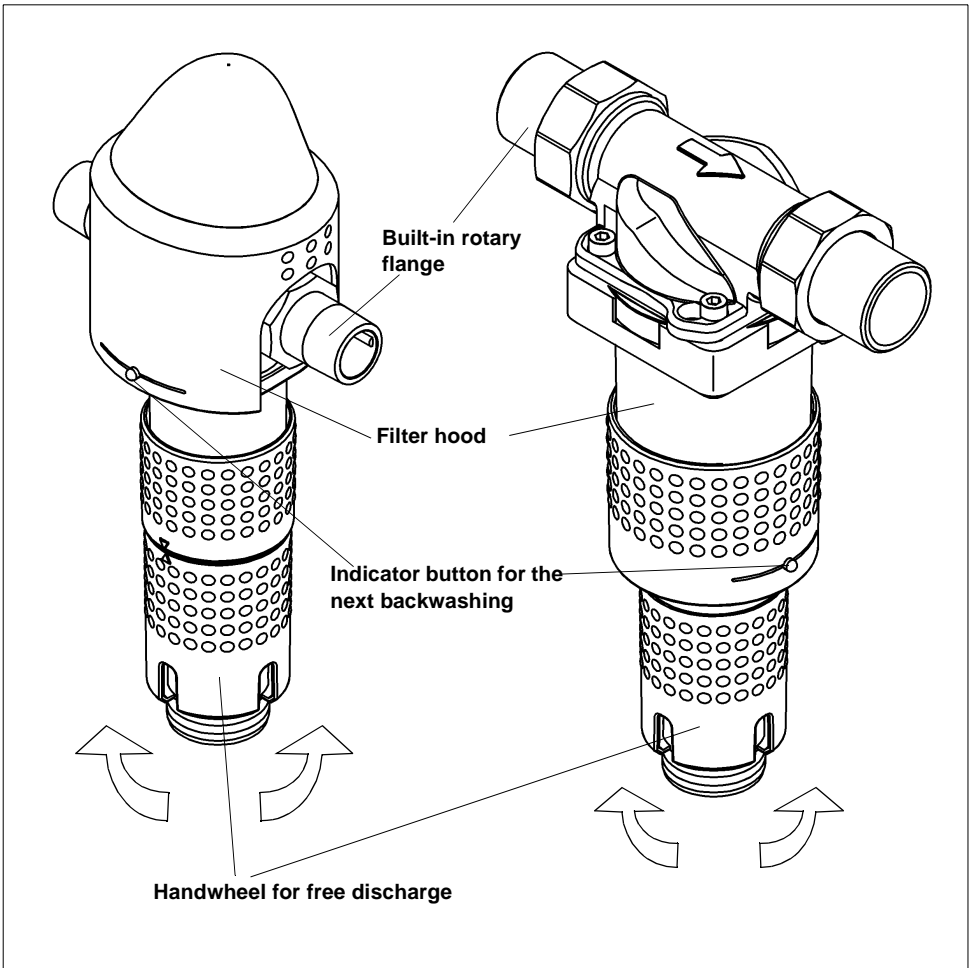


Abb. 6: Functional description

5.3 Backwashing

The filter must be backwashed (=cleaned) at the specified cycles in order to remove the filtered dirt from the fine filter screen.



All filter sizes are backwashed with treated water. The treated water supply within the domestic installation is maintained throughout the backwashing performance. During the backwashing any wastewater can't get into the pure water side.

A complete backwashing process is carried out by turning the handwheel through a full turn. At the same time the handwheel ensures free discharge.

When the handwheel is rotated in any direction three suction pipes rotate around the fine filter screen.

At the same time a patented ceramic flushing valve on the underside of the backwash protective filter opens so that the backwashing water can flow out. The treated water flows from the inside outwards through the screen into the suction pipe, taking the adhering particles with it. **During this time treated water flows out.** The fine filter screen is cleaned. At the same time the inside of the transparent filter cover is cleaned together with the wiper lips of the suction pipe.

Immediately continue turning the handwheel until it audibly locks into place.

The ceramic flushing valve thus closes again and the backwashing process is completed.

This backwashing process can be repeated if necessary.



The degree of pollution as well as the cleaning off operation can be watched from outside.



(see chapter "Safety information and dangers due to non-compliance")

This backwashing process must be carried out until the audible locking into place of the handwheel. If the locking process is discontinued before the audible locking into place the ceramic flushing valve is not fully closed.

Water permanently escapes as a result. Apart from high water consumption, this can also cause water damage, especially if the backwashing water is not discharged as described in the chapter "Discharging the backwashing water".

5.3.1 Backwashing interval

The filter must be backwashed:

- Every two months at the latest.
- If the water pressure falls.
- If the backwash protective filter is visibly dirty.



There is a display button on the built-in rotary flange (JSY-LF $\frac{3}{4}$ " – $\frac{1}{4}$ "), respectively on the filter bell (JSY-LF $1\frac{1}{2}$ " – 2") attached to the filter. It can be slid along the months scale. This enables the backwashing interval to be monitored.



(see chapter "Safety information and dangers due to non-compliance")

If the interval until the next backwashing is longer than two months, the particles on the filter screen can stick or a large filter pressure resistance can result.

Unauthorized persons must not operate the filter! Persons who operate the filter must observe the operating instructions. Failure to observe these instructions can result in damage to property and personal injuries.

The smaller the mesh size of the screen insert the more frequently backwashing has to be carried out!

Experience shows that increased dirt is deposited during the initial running period. If so, the unit has to be flushed more often than usual.

Failure to flush in good time can cause damage to the screen. Larger quantities of filtered particles can deform the screen and as an extreme incident cause the tearing of the sieve. As a result a filter function is not any longer ensured. In addition, larger quantities of dirt can cause mechanical impairment concerning the backwashing function.

5.4 Modifications / changes / spare parts



(see chapter "Safety information and dangers due to non-compliance")

Only original spare parts are to be used!

Arbitrary modifications and changes are prohibited for safety reasons! They can impair the function of the filter, lead to leaks and as an extreme incident they can lead to the bursting of the filter.

The imprinted test marks are only valid if original spare parts are used.

5.4.1 Servicing / Repair

Before carrying out any work on the filter, that is beyond pure operation induced control, the filter has to be depressurized! Failure to observe this can lead to an uncontrolled escape of water and therefore lead to water damages in the building. Strictly comply with the instructions given in the "Installation" and "Maintenance" chapters.

5.5 Stoppages



(see chapter “Safety information and dangers due to non-compliance”)

If a filter has to be removed from the flange or unscrewed, the chapter “Intended use” has imperatively to be observed!

- Protect the flange surfaces from damage! Damaged flange surfaces cannot close tight any longer. As a result, escaping water can damage the building and installations.

- Ensure that no dirt can get into the filter! Upon re-commissioning this dirt can get into contact with the drinking water and be discharged into the drinking water. The health of people consuming polluted water is at risk.
- Store the filter in frost-free conditions! The water contained in the hollows of the filter can freeze due to frost and thus the filter can be mechanically damaged to a degree that it will become loose at operating pressure or that it can burst. Leaking water can cause major material-damages to the building. In addition, people near the filter can be injured by blistering filter parts.
- When re-commissioning the filter, same course of action as applied to the new filter.

6. Faults

The opening of the units and the replacement of the water pressure charged parts may only be effected by authorized personal in order to ensure the unit security and its tightness.

Help with faults:

Fault	Cause	Remedy
Backwashing water continues running!	Ceramic flushing valve not fully closed.	Repeat the backwashing and then turn the handwheel until it locks into place!
	Dirt in the ceramic flushing valve.	
Water flow rate falls!	Screen is blocked.	Carry out backwashing.
Leaks in the backwash protective filter!	Filter has been exposed to high temperatures or solvents.	Inform the fitter or nearest customer service centre. (The filter cover must be replaced immediately.)
Filter cover becomes turbid!		
Hairline cracks on the filter hood!		

7. Maintenance



(see chapter "Safety information and dangers due to non-compliance")

Always observe the chapter "Intended use"!

7.1 Cleaning



(see chapter "Safety information and dangers due to non-compliance")

Use only clear, drinking water concerning the cleaning of the housing and the transparent filter hood.

Domestic all-purpose cleaners and glass cleaners can contain up to 25% solvents or alcohol (spirits).

These substances can chemically attack the plastic parts, which can lead to brittleness right up to [brittle] fractures.

These kinds of cleaners must therefore not be used.

8. Warranty and Services

In order to comply with the legal warranty claim, according to DIN 1988, Part 8, it is necessary that the "... backwashing takes place at least every 2 months, after operating conditions exist ...".

Regular servicing is indispensable in order to continue to achieve a successful treatment for many years after the unit is put into service. In the building services sector this is covered by DIN 1988, Part 8.

A servicing agreement is the best way to ensure a good operating function beyond the warranty period.

Wherever possible, the regular servicing work and supply with consumables and wearing materials, etc. should be carried out by the specialist trade or the factory's customer service department.

9. Data sheet

9.1 Type

JUDO SPEEDY-LongLife

Backwash protective filter

Abbreviated name: JSY-LF

9.2 Models

Model	Order no.
JSY-LF ¾"	8070662
JSY-LF 1"	8070663
JSY-LF 1¼"	-
JSY-LF 1½"	-
JSY-LF 2"	-

9.3 Technical specifications

The following applies for all the models of the device:

- The filters are supplied with a stainless steel screen with a mesh size of 0.1 mm as a standard.

- Nominal flow rate after backwashing at a pressure loss of 0.2 (0.5) bar [2.9 (7.3) psi] as given in the table below.
- Maximum ambient temperature and water temperature: 30 °C (86 °F).
- **The water to be filtered must conform to the European drinking water directive!**
- Threaded connection to DIN EN 10226-1.

Nominal pressure

Model	Operating pressure	Nominal pressure
JSY-LF ¾" – 2"	1.5 - 10 bar (21.8 - 145 psi)	PN 16

The nominal pressure denotes the pressure class, according to which the filter must fulfill the requirements of the standards DIN EN 13443-1 and DIN 19628. The maximum operating pressure is lower, in order to ensure the optimum function of the filter.

Model	Weight	Nominal flow rate after backwashing at a pressure loss of 0.2 (0.5) bar [2.9 (7.3) psi]	Back-flush volume stream
JSY-LF ¾"	1.7 kg	3.3 (5.3) m³/h	0.3 l/s
JSY-LF 1"	1.8 kg	3.5 (5.6) m³/h	0.3 l/s
JSY-LF 1¼"	2.2 kg	3.8 (6.1) m³/h	0.3 l/s
JSY-LF 1½"	5.1 kg	9.5 (14.5) m³/h	0.3 l/s
JSY-LF 2"	5.6 kg	10.1 (16.6) m³/h	0.3 l/s

The backwashing volumetric flow given applies to 2 - 3 bar (29 - 44 psi) mains pressure and for a completely opened flushing water valve.

9.4 Installation dimensions JSY-LF ¾" - 1¼"

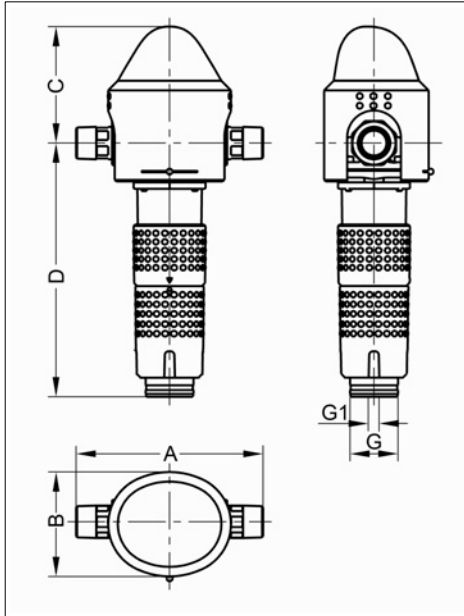


Fig. 7: Installation dimensions JSY-LF ¾" - 1¼"

9.5 Installation dimensions JSY-LF 1½" - 2"

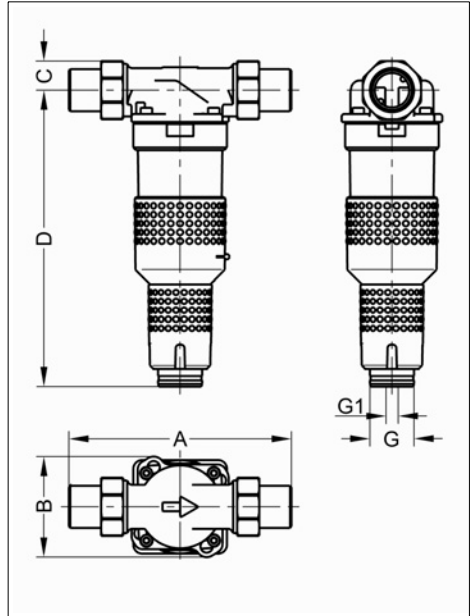


Fig. 8: Installation dimensions JSY-LF 1½" - 2"

	JSY-LF ¾"	JSY-LF 1"	JSY-LF 1¼"	JSY-LF 1½"	JSY-LF 2"
A = installation length	180 (7.0)	195 (7.5)	230 (9.0)	252 (9.9)	280 (11)
B = device width	195 (7.5)	195 (7.5)	195 (7.5)	114 (4.6)	114 (4.6)
C = height below pipe centre	260 (10.4)	265 (10.6)	270 (10.8)	336 (13.4)	345 (13.8)
D = height above pipe centre	125 (5.0)	125 (5.0)	125 (5.0)	43 (1.7)	43 (1.7)
G = connection dimension waste water	20 (0.8)	20 (0.8)	20 (0.8)	20 (0.8)	20 (0.8)
G1= connection dimension waste water (alternative)	13 (0.5)	13 (0.5)	13 (0.5)	13 (0.5)	13 (0.5)

All dimensions in mm (inch) (see fig.7) (see fig.8)

9.6 Extent of supply

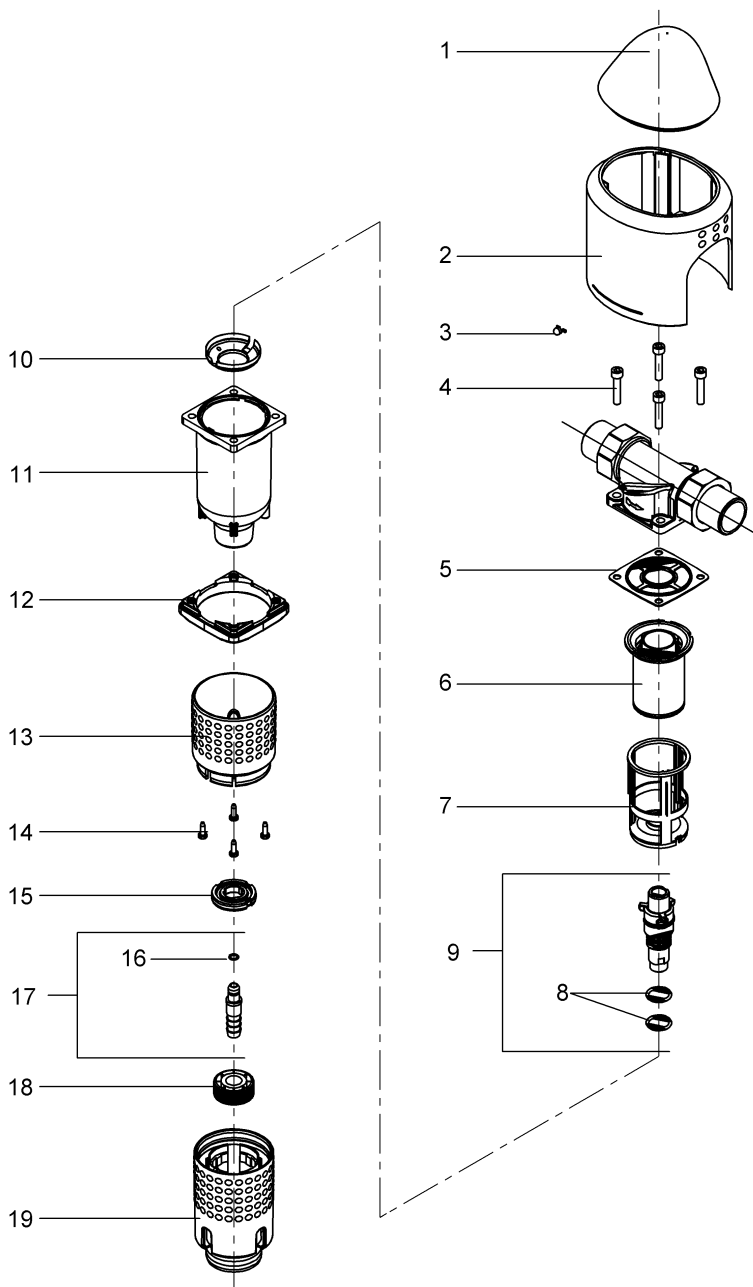
- Pre-installed backwash protective filter
- Installation and operating instructions
- Fitted rotating flange JQE ¾", 1" or 1¼" with bayonet JSY-LF ¾" – 1¼"
- Fitted rotating flange JQE 1½" or 2" with bayonet fixture and screw connection JSY-LF 1½" – 2"

9.7 Accessories JSY-LF ¾" – 2"

- JUDO Automatic controls + ceramic set JAUS (order no. 8170244).
For subsequent upgrade of the manual backwash protective filter to an automatic backwash protective filter.

10. Spare parts

10.1 JSY-LF 3/4" – 1 1/4"

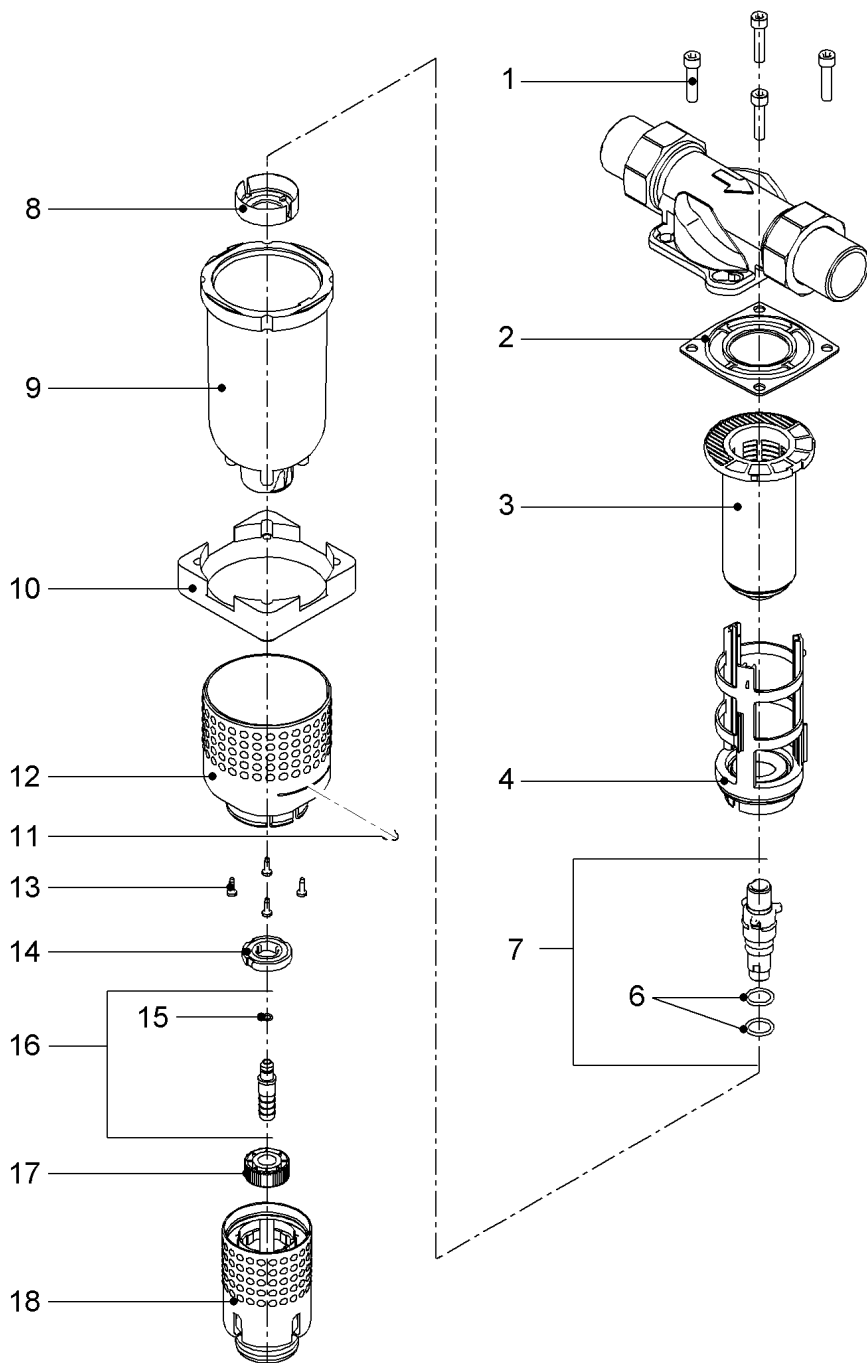


List of spare parts JSY-LF ¾" – 1¼"

Item	Designation (Recommended average replacement interval for wearing parts [*)	Piece(s)	Order no.
1	Cover	1	1120542
2	Cover of flange JSY-LF ¾" - 1¼"	1	2070436
3	Display button	1	1120424
4	Cylinder screw M 6 x 30	4	1650209
5	Profile flange seal **	1	1200218
6	Strainer ****	1	2070302
7	Suction Pipe ***	1	1120534
8	O-ring 18 x 2.5 ****	2	1200291
9	Pre-fitted flushing valve ****	1	2170179
10	Suction pipe base	1	1120533
11	Filter bell	1	1120536
12	Flange	1	1420013
13	Cover of filter bell	1	1120541
14	Lens metal screw 3.9 x 13	4	1650289
15	Distance disc	1	1120478
16	O-ring 6.07 x 1.3	1	1200137
17	Tube connection pre-mounted	1	2170182
18	Union nut	1	1120214
19	Handwheel for free discharge	1	1120461

Replacement interval: ** = 2 years, *** = 3 years, **** = 4 years

10.2 JSY-LF 1½" - 2"



List of spare parts JSY-LF 1½" – 2"

Item	Designation (Recommended average replacement interval for wearable parts [*)	Piece(s)	Order no.
1	Cylinder screw M 8 x 35	4	1650107
2	Profile flange seal **	1	1200230
3	Strainer ****	1	2070304
4	Suction Pipe ****	1	2170178
6	O-ring 18 x 2.5 ****	2	1200291
7	Pre-fitted flushing valve ****	1	2170179
8	Suction pipe base	1	1120464
9	Filter hood	1	1120459
10	Flange	1	1430099
11	Display button	1	1120424
12	Cover filter hood JSY-LF 1½"	1	2170243
12	Cover filter hood JSY-LF 2"	1	2170244
13	Lens metal screw 3.9 x 13	4	1650289
14	Distance disc	1	1120478
15	O-ring 6.07 x 1.3	1	1200137
16	Tube connection pre-mounted	1	2170182
17	Union nut	1	1120214
18	Handwheel for free discharge	1	1120461

Replacement interval: ** = 2 years, **** = 4 years

11. Customer service



JUDO UK Limited

The old court House
Ascot, SL5 7EN
Phone: (44) 700 605 9441
e-mail: info@judo.eu
www.judo.uk.com

Installed by:

All illustrations, dimensions and information for the different models are those valid on the date of printing. All rights are reserved for modifications as a result of technical progress or further developments. Claims with regard to models or products are excluded.