

The cost effective problem solver
for drinking water systems

JUKO

House Water Device

The JUDO JUKO house water station combines the advantages of reverse-flow protective-filters and pressure reducers in one unit. It effectively prevents damage caused by rust and lime particles, sand and excessive pressure.

The advantages

- ◆ No cartridges to replace
- ◆ Stainless steel filter cloth
- ◆ Water supply even while the filter is being cleaned
- ◆ Water savings through pressure reduction
- ◆ Degree of soiling is clearly visible
- ◆ Made in Germany



judo
Wasser-
Aufbereitung





JUKO

The problem

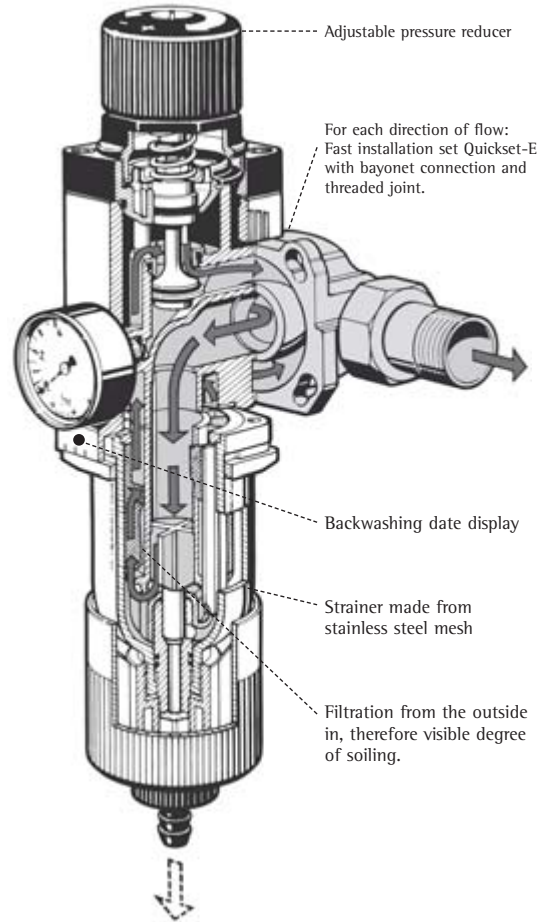
Sand, rust and dirt particles damage and block sanitary installations such as water pipes, fittings, boilers, showers, etc. This leads to corrosion, pipe bursts and expensive repairs. The solution: JUKO from JUDO.

Advantage of backflush protective filters

You do not have to interrupt the water supply to clean the strainer. In addition, you save the cost of replacement filter inserts.

Advantage of pressure reducers

An input water pressure of up to 16 bar can be reduced to an output pressure of up to 1.5 bar. Lowering the water pressure from e.g. 6 to 4 bar is equivalent to a 15 percent saving.



Technical specifications

Model	JUKO	JUKO	JUKO
Pipe connection inch	3/4"	1"	1 1/4"
Water flow rate up to m ³ /h	3.3 m ³ /h	4.5 m ³ /h	5.5 m ³ /h
Max temperature °C	30 °C/86 °F	30 °C/86 °F	30 °C/86 °F
Installed length mm	180 mm/7"	190 mm/7 1/4"	230 mm/9"
Total height mm	370 mm/14 1/2"	370 mm/14 1/2"	370 mm/14 1/2"

All units PN 16/232 psi

Fast installation

With the JUDO Quickset-E your fitter can carry out the installation fast and cleanly.



We stock JUDO equipment:



JUDO Wasseraufbereitung GmbH
 Postfach 380 · D-71351 Winnenden
 Tel. +49 (0) 71 95/6 92-0
 Fax +49 (0) 71 95/6 92-110
 e-mail: export@judo-online.de
www.judo-online.de