

For residential and commercial applications

# QUICKSOFT

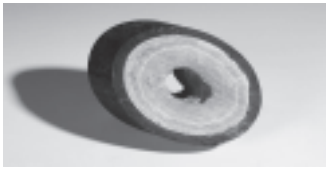
## Water Softener

JUDO QUICKSOFT water softeners use an environmentally compatible system that provides you with pleasant, soft water. QUICKSOFT protects your plumbing system, hot water boiler, household appliances and fixtures from unpleasant lime deposits. Which saves on detergents, cleaning supplies and time.

### Convincing advantages:

- ◆ New, improved engineering
- ◆ Soft water around the clock (JQS-D)
- ◆ Salt reduction feature – environmentally compatible
- ◆ Completely Automatic
- ◆ Built-in Automatic disinfecting feature – germicidal protection
- ◆ Integrated blending valve – adjustable hardness regulating feature
- ◆ High-quality tested product
- ◆ Made in Germany





## The Problem

Your water supply contains calcium and magnesium. When it is heated lime deposits form. This leads to scale build-up, longer boiler heat-up times and increased energy consumption (2 mm of limescale = approx. 20% extra fuel cost).

The solution: QUICKSOFT water softeners from JUDO.

## Quality from Experience

QUICKSOFT water softeners offer state-of-the-art engineering at an economical price. With a set-up area of only 36 x 39 cm this compact water softener virtually requires no space at all. It can be installed quickly by any plumber and reliably supplies noticeable soft water around the clock. Here's how it works: A high quality, food-grade ion exchange resin removes the undesired lime from your water supply – a proven method. During this process the unit automatically adapts to your water consumption removing undesirable hardness from your water supply. The low wear ceramic control plates ensure efficient and reliable operation.

Now and then your new water softener requires a little salt to regenerate the ion exchange resin. By replenishing the salt container regularly, it will provide you many years of service. The unit automatically disinfects itself at regular intervals for germicidal protection.

We sell JUDO water treatment products:

# QUICKSOFT

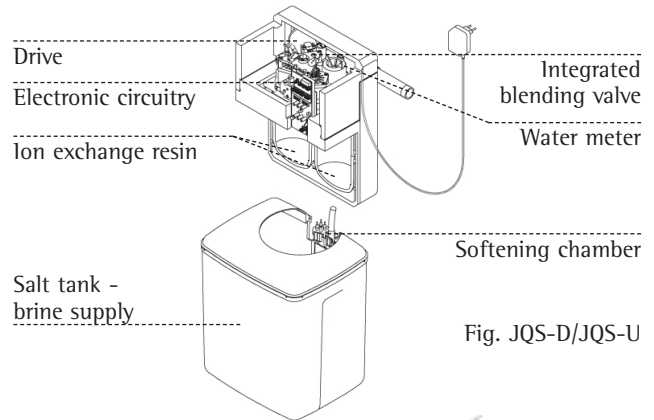


Fig. JQS-D/JQS-U

Installation depth without bypass valve: A = 247 mm

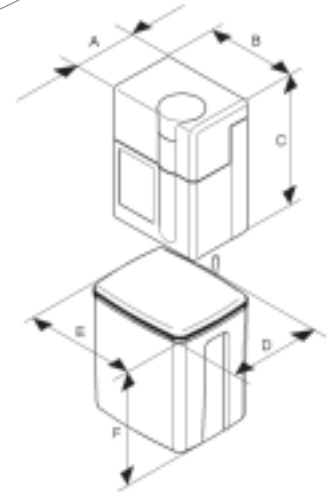
Width: W = 340 mm

Height: C = 490 mm

Depth of salt reservoir: D < ± 360 mm

Width of salt reservoir: E = 390 mm

Height of salt reservoir F = 465 mm



## Universal application

From a one-room apartment to multiple-family homes, from vacation lodges to hotels, from a suite to commercial plants, QUICKSOFT provides ideal soft water everywhere.

## Technical Data

Model	JQS-D	JQS-U*
Pipe connection, inches	1	1
Flow rate gpm (US-Gallon)	7.5	5.25
Rated pressure PN (psi)	145	145
Operating pressure min./max. psi	30/100	30/100
Short-term flow rate max. gpm	15	8.8
Pressure loss at specified flow rate psi	7.25	10
Rated capacity mol – include formula for capacity		
Capacity in liters = mol value / (gpg x 0.1785) x 1000	0.9	0.45
Water consumption per regeneration liters	24	12
Power consumption max. W	15	15
Installation length mm	195	195
Order No.:	8200320	8200319

\* QUICKSOFT-UNO = Version with single resin chamber

We reserve all rights to make technical modifications without notice!

1930927 · Po · Gr



JUDO Wasseraufbereitung GmbH  
Postfach 380 · D-71351 Winnenden  
Tel. +49 (0) 71 95/6 92-0  
Fax +49 (0) 71 95/6 92-110  
e-mail: export@judo-online.de  
www.judo-online.de