

Ceramic Filter with Activated Carbon Core

CeFi/CeFi-UT

Pure Water for the whole family

A Pure Water – reduced from the entire spectrum of contaminants – suitable not only as drinking Water but also for other domestic purposes in the kitchen – CEFI and CEFI-UT an easy devices to use. Just connect it, turn Tap on and enjoy the Taste. The Ceramic Filter with activated Carbon absorbs dangerous contaminants harmful to the human body. Available for the Upper or Under Sink application.

The Advantages

- ◆ Ceramic replacement Filters with Activated Carbon Core
- ◆ removes Bacterias, Insecticides, pesticides, herbicides, phenole, etc...
- ◆ removes Heavy Metals such as Lead
- ◆ better Taste
- ◆ easy to connect
- ◆ easy to use
- ◆ 2 convenient Versions



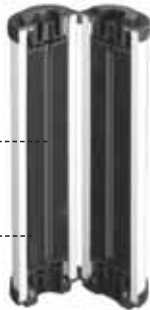
CEFI and CEFI-UT

A quick and easy installation for both versions. Once the Tap turned on Water flows into the Ceramic Cartridge. Contaminants and impurities are absorbed by the Activated Carbon Core. It takes only few seconds to enjoy a pure and healthy water.

The CEFI/CEFI-UT removes the following contaminants

- **Bacterias:**
such as Coli, Vibro Cholera, Shighella, Salmonella Typhi, Klebsiella Terigenea, Cryptosporidium, Giarda **min. 99.99 %**
- **Insecticides:**
s. as Lindan (0.1 mg/L) **min. 85.00 %**
- **Herbicides:**
s. as Atrazin (1.2 mg/L) **min. 85.00 %**
- **Phenole:**
s. as TCP (1.2 mg/L) **min. 50.00 %**
- **Polyaromatic Hydrocarbon:**
s. as PAH's (0.2 mg/L) **min. 95.00 %**
- **Trihalomethan:**
s. as Chloroform (150 mg/L) **min. 50.00 %**
- **Heavy Metals:**
s. as Lead (pH 6.5 – pH 8.5, NSF std. 53) **min. 98.30 %**
- **Inorganics removal:** s. as Chlorine (2 mg cl/L, NSF Class 1 std. 42) **min. 97.00 %**

The replaceable Ceramic cartridge



Passage of Water

Activated Carbon Core

Delivery:

CeFi-UT



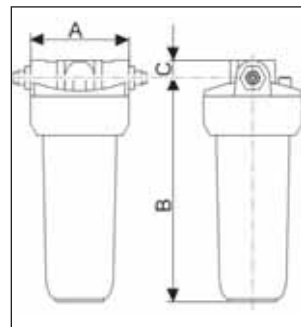
CeFi



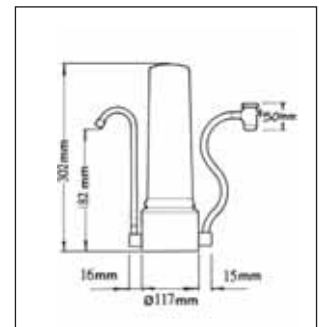
Technical specifications

Flow rate l/min	3.8 (1.00 US Gallon)
Flow rate l/min at 3 bar/43,5 psi	3.3 (0.87 US Gallon)
Water Temperature °C/°F	5 – 30/41 – 86
PH Value	5.5 to 9.5
min./max. Water pressure bar/psi	1 to 5/14.5 – 72,5
Replacement of cartridge month	4 to 6
max. capacity of cartridge l	2,200 (581 US Gallons)
Dimension of cartridge mm	72 (2 3/4")
Cartridge Length mm	248 (9 3/4")
Filtration efficiency micron	0.9 (0.0009 mm)

Order-Nr. CEFI	8045010
Order-Nr. CEFI-UT	8045011
Order-Nr. Cartridge	8100014



CEFI-UT (Dimensions mm)
A = 125, B = 285, C = 28



CEFI (Dimensions mm)

All rights reserved in respect of incorrect information and technical changes.

1930936 · Po · WD



JUDO Wasseraufbereitung GmbH
Postfach 380 · D-71351 Winnenden
Tel. +49 (0) 71 95/6 92-0
Fax +49 (0) 71 95/6 92-110
e-mail: export@judo-online.de
www.judo-online.de